

# HERO OVS-010

Capacity: 327 kg / 700 lbs.

Li-ion Order Picker



  
Capacity  
700lb


  
Lithium-ion  
Battery

  
Robust  
Design

  
CAN-bus  
CAN-bus

  
Highly  
Cost Effective

  
Easy  
Maintenance

  
Low noise

Working Together For A Shared Future



## HIGHLIGHTS

- ▶ PMSM Drive Motors - maintenance free with high-efficiency
- ▶ DC Pump and Steering Units - extended service life with minimal maintenance
- ▶ Lithium battery: 24V/150Ah
- ▶ Max. platform height 4600 mm/180 inches
- ▶ Max. work height 6600 mm/252 inches
- ▶ Loading capacity 327 kg/700 lbs
  - 100 kg/200 lbs front load tray
  - 100 kg/200 lbs back load tray
  - 127 kg/300 lbs operator platform
- ▶ Drive units with suspension system for improved stability, safety and operator comfort
- ▶ Keyless Pin-Code Panel with RFID Card support
- ▶ Electric Lifting and Lowering Buttons
- ▶ High-performance control handles with dual-hands sensing operation
- ▶ LCD display: speed, steering mode, usage time, power, steering, fault code, and more
- ▶ Meets EU and US regulations

## HERO OVS-010

Capacity: 327 kg / 700 lbs.

Li-ion Order Picker

The Lithium-ion HERO order picker is a compact, highly maneuverable industrial vehicle designed to help workers perform a variety of tasks in warehouses, distribution centers, and retail settings. Filling the gap between ladders, order pickers, tuggers and forklifts, it gives operators a safer and more efficient way to handle light material handling and elevated work tasks. Four steering modes allow the HERO to move like no other industrial vehicle, including side to side Crab Mode, true Zero Point Turning, and even at angles while elevated - offering unmatched precision and efficiency in order picking environments or tight spaces. Engineered with a low profile, it can easily enter elevators and pass under doorways.

# SIMULTANEOUS LIFTING, STEERING AND DRIVING



Forward, Backward, Crab Mode and true 360° Zero Point Turning



## APPLICATIONS

Order Picking | Inventory Restocking  
Order Fulfillment | Load Transport  
Manufacturing and Assembly  
Equipment Inspection | Facility Maintenance

## UNIQUE STEERING MODES



**N1 - Normal Front Steering:** Front wheel steering. For long distances. Available for full range of lift heights with automatic speed reduction depending upon height.



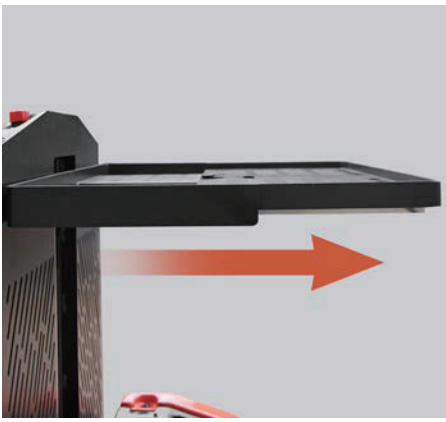
**N2 - Normal Rear Steering:** Rear wheel steering. For highly maneuverable confined areas. Available for full range of lift heights with automatic speed reduction depending upon height.



**C MODE - Crab Mode:** Both steering wheels are turning in the same direction. For parallel shifting and pure side motion. Available for platform heights up to 118 inches with automatic speed reduction depending upon height.



**Z MODE - Zero Point Turning:** Both steering wheels are turning in opposite directions, providing true zero point turning. Available for platform heights up to 118 inches with automatic speed reduction depending upon height.



Telescopic load tray extends from 345 to 525mm (13.6 to 20.7 in) to increase carry volume while maintaining an unobstructed view for the operator.



Easily check condition and troubleshoot with CAN-bus technology.



Storage areas for small objects, packing film, documents and pick tickets.

- A** USB connector for charging and powering external devices.
- B** Lifting and lowering button for tray table control.
- C** Power on/off start button.
- D** LED side lights.
- E** Dual-hand sensing high-performance control handles.
- F** Color LCD display with full status indication.
- G** PIN code access lock with RFID cards support.
- H** Four steering mode buttons.
- I** Telescopic load tray extends for larger items.
- J** Emergency power button for operator protection.
- K** Speed control toggle button.
- L** Cigarette power socket for powering external devices.



# INTELLIGENT. SAFE. RELIABLE.



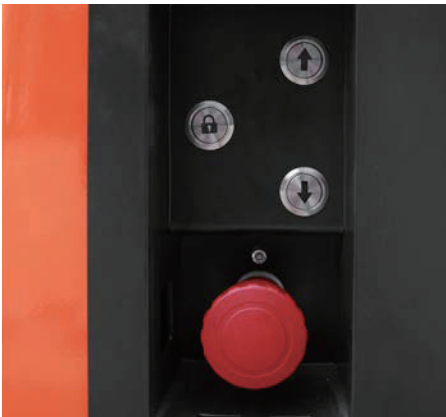
LED side lights provide visibility in poor lighting conditions.



Equipped with LED blue safety light for pedestrian protection.



Flashing LED beacon alerts pedestrians during operation.



Additional lift/lower function from the side of the vehicle.

**OPTIONAL**

- ▶ Hooks for long, light weight object transportation.
- ▶ Towing connector for pulling carts, trailers or dollies.

A diagram showing a close-up of a towing connector on the left and a full view of the vehicle on the right. A wooden plank is shown being transported by hooks on the vehicle's deck. The vehicle is labeled 'NOBLELIFT' and 'HERO'.

## FAST-CHARGING AND SAFE LITHIUM POWER




Fast-charging maintenance-free Lithium battery can be opportunity charged during user breaks and during shift changes which allows the truck to run continuously through multi-shift operations. No battery changes are necessary.

Lithium battery integrated charger 24V30A\*

\*25A max with 110V input, 30A max with 120V - 240V input

NOBLELIFT uses Lithium-Iron Phosphate batteries, the longest lasting and safest lithium battery available. Our lithium batteries are equipped with a Battery Management System (BMS), thermal management system, and an automotive-grade DC high-voltage control system. BMS manages charging and discharging data to ensure safety throughout its life cycle.





Max working height:  
6600mm/259.8in

Max platform height:  
4600mm/181.1in

### ADDITIONAL FEATURES

- ▶ Automatic speed reduction and lift height restrictions depending upon height and steering mode
- ▶ Automatic return to neutral steering angle
- ▶ Soft lowering/lifting stop
- ▶ PPE (fall) connection point
- ▶ Gate interlocks prevent operation until latched
- ▶ Chassis tilt protection with restricted operation
- ▶ Safety sensors below the platform disable raise, lower and travel if someone or something is detected below the platform.
- ▶ Chain slack detection function improves safety and prolongs vehicle life
- ▶ Imperial or metric measuring units on LCD display

**General. Weight**

|      |                                    |         |                      |             |
|------|------------------------------------|---------|----------------------|-------------|
| 1.2  | Model                              |         | OVS-010              |             |
| 1.3  | Drive                              |         | Electric             |             |
| 1.4  | Type of Operation                  |         | Task Support Vehicle |             |
| 1.5  | Load capacity, front load tray     | kg / lb | 100                  | 200         |
| 1.6  | Load capacity, back load tray      | kg / lb | 100                  | 220 / 200   |
| 1.7  | Load capacity, operator platform   | kg / lb | 127                  | 280 / 300   |
| 1.8  | Vehicle weight (with battery)      | kg / lb | 1290                 | 2844        |
| 1.9  | Axle loading, laden front / rear   | kg / lb | 715 / 802            | 1576 / 1768 |
| 1.10 | Axle loading, unladen front / rear | kg / lb | 565 / 725            | 1246 / 1598 |

**Tires, Dimensions**

|      |   |  |              |           |
|------|---|--|--------------|-----------|
| 2.0  | Tires   |  | polyurethane |           |
| 2.1  | Tire size, drive                              | mm / in                                  | 230 x 70     | 9.1 x 2.8 |
| 2.2  | Tire size, side                               | mm / in                                  | 150 x 48     | 5.9 x 1.9 |
| 2.3  | Wheels, number drive / side (x=driven wheels) |  | 2x/4         |           |
| 2.4  | Tread, front                                  | b <sub>11</sub> (mm / in)                | 664          | 26.1      |
| 2.5  | Wheelbase                                     | y (mm / in)                              | 1134         | 44.7      |
| 2.6  | Vehicle length                                | l <sub>1</sub> (mm / in)                 | 1460         | 57.5      |
| 2.7  | Vehicle width                                 | b <sub>1</sub> (mm / in)                 | 800          | 31.5      |
| 2.8  | Ground clearance, laden, below mast           | m <sub>1</sub> (mm / in)                 | 50           | 2         |
| 2.9  | Height, mast lowered                          | h <sub>1</sub> (mm / in)                 | 1660         | 65.3      |
| 2.10 | Lift  | h <sub>3</sub> (mm / in)                 | 4407         | 173.5     |
| 2.11 | Height, mast extended                         | h <sub>4</sub> (mm / in)                 | 6067         | 238.8     |
| 2.12 | Maximum platform height                       | h <sub>7</sub> +h <sub>3</sub> (mm / in) | 4600         | 181.1     |
| 2.13 | Maximum work height                           | mm / in                                  | 6600         | 259.8     |
| 2.14 | Stand height                                  | h <sub>7</sub> (mm / in)                 | 193          | 7.6       |
| 2.15 | Additional lift                               | h <sub>9</sub> (mm / in)                 | 400          | 15.8      |

**Performance**

|     |                                 |             |                                |             |
|-----|---------------------------------|-------------|--------------------------------|-------------|
| 3.1 | Turning radius (min)            | Wa(mm / in) | 800                            | 31.5        |
| 3.2 | Travel speed, laden / unladen   | km/h mph    | 8 / 8                          | 4.97 / 4.97 |
| 3.3 | Lift speed, laden / unladen     | m/s fps     | 0.14 / 0.14                    | 0.46 / 0.46 |
| 3.4 | Lowering speed, laden / unladen | m/s fps     | 0.16 / 0.16                    | 0.53 / 0.53 |
| 3.5 | Brake, parking / service        |             | Electromagnetic / Regenerative |             |
| 3.6 | Grade, laden / unladen          | %           | 10 / 10                        |             |

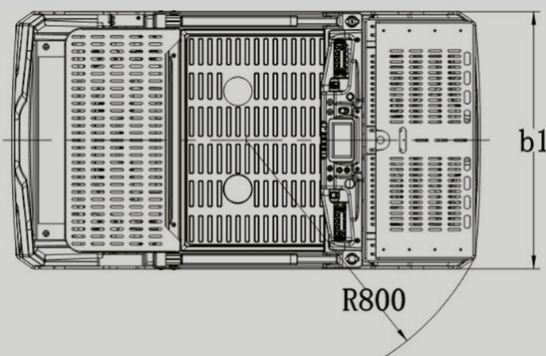
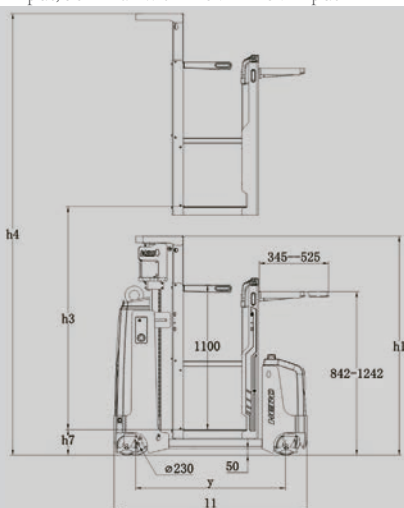
**E-Motor**

|     |  |                     |                 |                   |
|-----|--|---------------------|-----------------|-------------------|
| 4.1 | Drive motor, output S2 60 min.               | kW                  | 1.0 x 2 pcs     |                   |
| 4.2 | Lift motor, output S3 15%                    | kW                  | 2.2             |                   |
| 4.3 | Storage table lift motor power               | kW                  | 0.5             |                   |
| 4.4 | Battery dimensions, maximum                  | L x W x H (mm / in) | 480 x 146 x 500 | 18.9 x 5.8 x 19.7 |
| 4.5 | Battery voltage / nominal capacity (LiFePO4) | V/Ah                | 24/150          |                   |
| 4.6 | Battery weight, minimum                      | kg/lb               | 52              | 115               |
| 4.7 | Charger (built-in, optional)                 | Amp                 | 30*             |                   |
| 4.8 | Charger (external)                           | Amp                 | 60              |                   |

**Others**

|     |   |       |      |  |
|-----|---|-------|------|--|
| 5.1 | Type of drive control                     |       | PMSM |  |
| 5.2 | Sound pressure level at the driver's seat | dB(A) | 69   |  |

\*25A max with 110V input, 30A max with 120V - 240V input





LinkedIn



facebook



YouTube



FORKLIFTS



NARROW AISLE



STACKERS



POWERED PALLET TRUCKS



SCISSOR LIFTS



TUGGERS



SCRUBBERS

## NOBLELIFT CHINA

Address: 528 Changzhou Road, Taihu  
Sub-district, Changxing, Zhejiang 313100 China  
Tel: 86-572-6210817 6210311  
Fax: 86-572-6210777 6128612  
Email: [info@noblelift.com](mailto:info@noblelift.com)  
Http: [www.noblelift.com](http://www.noblelift.com) [www.noblelift.cn](http://www.noblelift.cn)

## NOBLELIFT NORTH AMERICA

Address: 2461 S Wolf Road Des Plaines, IL 60018  
Tel: 001-847-595-7100  
Fax: 001-847-595-7200  
Email: [sales@nobleliftna.com](mailto:sales@nobleliftna.com)  
Http: [www.nobleliftna.com](http://www.nobleliftna.com)

## NOBLELIFT SOUTH EAST ASIA

No. 7, Jalan Astaka U8/84A, Seksyen U8, Bukit Jelutong,  
40150 Shah Alam, Selangor Darul Ehsan, Malaysia.  
Tel: +603 7831 8555  
Email: [sales@nobleliftsea.com](mailto:sales@nobleliftsea.com)  
<https://www.nobleliftsea.com>

## NOBLELIFT CANADA INC.

Address: 850, Ellingham Avenue, Pointe-Claire, province  
of Québec, Canada, H9R 3S4  
Tel: 1- 514 697 0117  
E-mail: [info@nobleliftca.com](mailto:info@nobleliftca.com)  
[www.nobleliftcanada.com](http://www.nobleliftcanada.com)

## NOBLELIFT KOREA CO., LTD.

Address: 715-9 Jubook-ri, Cheoin-gu, Yongin-si,  
Kyunggi-do, Korea  
Tel: 82-031 334 1828  
E-mail: [info@noblelift.com](mailto:info@noblelift.com)  
[www.noblelift.com](http://www.noblelift.com)

## NOBLELIFT RUSSIA

ООО «Ноблелифт Рус», 195067,  
Санкт-Петербург пр. Маршала  
Блюхера, д. 78, литер Б  
Тел.: +7-800-700-28-97  
Email: [sales@noblelift.com.ru](mailto:sales@noblelift.com.ru)  
Http: [www.noblelift.com.ru](http://www.noblelift.com.ru)

## NOBLELIFT EUROPE

Industrie park 2, 48739 Legden, Germany  
Tel : +49 (0) 4191 - 9575603  
Email: [Mail@Noblelift-Germany.com](mailto:Mail@Noblelift-Germany.com)  
Http: [www.Noblelift-Germany.com](http://www.Noblelift-Germany.com)

## NOBLELIFT SOUTH EAST ASIA (Vietnam) CO., LTD.

Address: 3rd floor, No. 107, Street 37, Van Phuc  
Residential Area, Hiep Binh Phuoc Ward, Thu  
Duc City, Ho Chi Minh City, Vietnam  
Tel: 84-902 598 460  
E-mail: [marketingvn@nobleliftsea.com](mailto:marketingvn@nobleliftsea.com)  
[www.nobleliftsea.com.vn](http://www.nobleliftsea.com.vn)

AUTHORIZED DEALER

