

# J2.0-3.5 XTLG SERIES

---

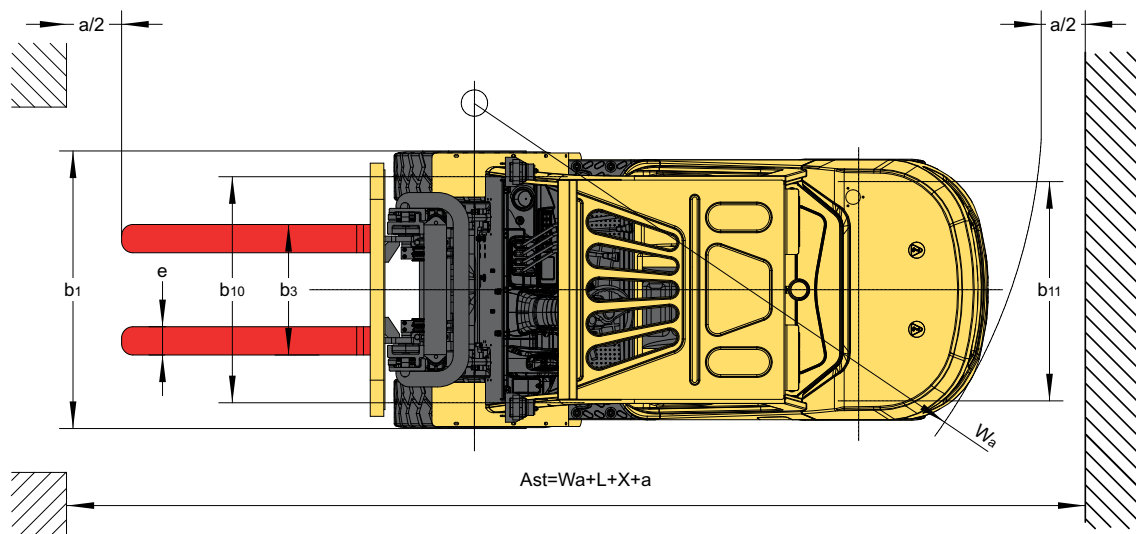
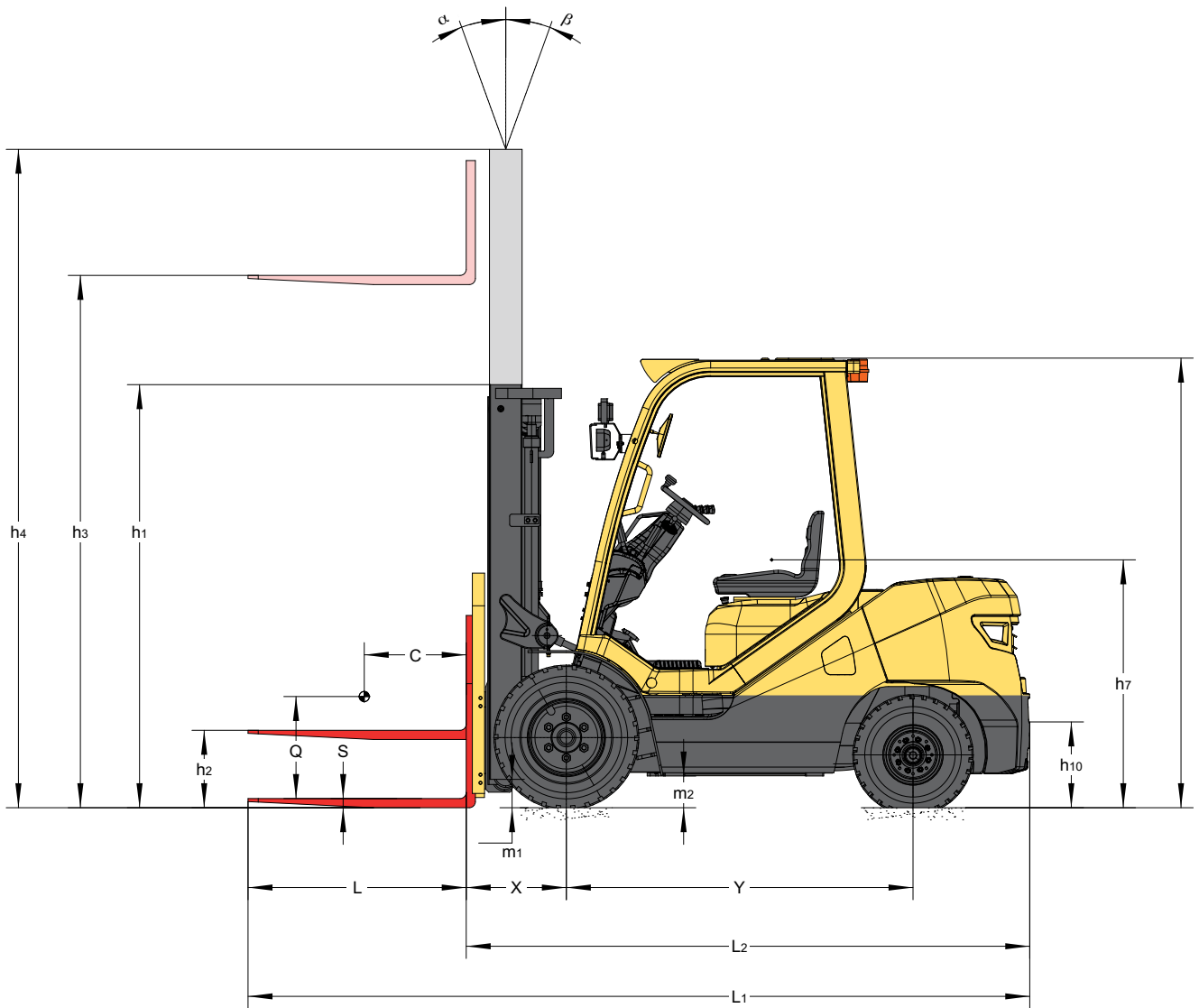


**ELECTRIC FORKLIFT TRUCKS**  
**PRODUCT TECHNICAL GUIDE**



[WWW.HYSTER.COM](http://WWW.HYSTER.COM)

# TRUCK DIMENSIONS



# J2.0-2.5 XTLG SERIES SPECIFICATIONS

GENERAL	1-1	Manufacturer			Hyster				
	1-2	Model designation			J2.0XTLG		J2.5XTLG		
WEIGHT	1-3	Drive			Electric				
	1-4	Operator type			Seat				
WHEELS	1-5	Rated capacity/rated load	Q	kg	2000		2500		
	1-6	Load centre distance	c	mm	500				
	1-8	Load distance, centre of drive axle to fork	x	mm	476				
	1-9	Wheelbase (with mast vertical)	y	mm	1600				
DIMENSIONS	2-1	Service weight	kg	kg	3515	3645	3775	3905	
	2-2	Axle loading, laden front/rear	kg	kg	4865/650	4980/665	5535/740	5650/755	
	2-3	Axle loading, unladen front/rear	kg	kg	1355/2160	1400/2245	1470/2305	1520/2385	
	3-1	Tyres front/rear			Pneumatic				
	3-2	Tyre size, front			7.00-12-12PR				
	3-3	Tyre size, rear			6.00-9-10PR				
	3-5	Wheels, number front/rear			2x /2				
	3-6	Tread, front	b10		970				
	3-7	Tread, rear	b11		980				
	PERFORMANCE	4-1	Tilt of mast/fork carriage, forward /backward	$\alpha$ / $\beta$		6/12			
4-2		Height, mast lowered	h1		2010				
4-3		Free lift	h2		160				
4-4		Lift	h3		3000				
4-5		Height, mast extended <sup>(1)</sup>	h4		3575				
4-7		Height of overhead guard(cabin) <sup>(2)</sup>	h6		2180				
4-8		Seat height/stand height <sup>(3)</sup>	h7		1190				
4-12		Towing coupling height	h10		250				
4-19		Overall length	l1		3630			3692	
4-20		Length to face of forks	l2		2560			2622	
4-21		Overall width	b1		1160				
4-22		Fork dimensions ISO2331	s/e/l		40/122/1070				
4-23		Fork carriage ISO 2328. Class/type, A/B			IIA				
4-24		Fork carriage width <sup>(4)</sup>	b3	mm	1040				
4-31		Ground clearance, laden, below mast	m1	mm	125				
4-32		Ground clearance, centre of wheelbase	m2	mm	130				
ELECTRIC ENGINE		4-33	Load dimension b12 x l6 crossways	b12 x l6	mm	1000*1000			
		4-34	Aisle width with predetermined load dimensions	Ast	mm	3966			4026
	4-34-1	Aisle width with pallets 1000mm x 1200mm crossways	Ast	mm	3966			4026	
	4-34-2	Aisle width with pallets 800mm x 1200mm crossways	Ast	mm	3766			3826	
	4-35	Turning radius	Wa	mm	2290			2350	
	4-36	Inner turning radius	b13	mm	745				
	5-1	Travel speed, laden/unladen		km/h	15/15	19/19	15/15	19/19	
	5-1-1	Travel speed, laden / unladen, backwards		km/h	12/12	16/16	12/12	16/16	
	5-2	Lifting speed, laden/unladen		mm/s	400/430	510/540	400/430	510/540	
	5-3	Lowering speed laden/unladen		mm/s	420/500				
ADDITIONAL DATA	5-5	Drawbar pull laden/unladen	N		16000/13000	19000/15000	17000/15000	23000/16000	
	5-8	Maximum gradeability, laden/unladen	%		15/15	20/20	15/15	20/20	
	5-9	Acceleration time, laden/unladen 15m	sec		5.6/5.5				
	5-10	Service brake			Hydraulic				
	6-1	Drive motor rating S2 60 min	Kw		15	21.6	15	21.6	
	6-2	Lift motor rating at S3 15 %	Kw		15	22.6	15	22.6	
	6-3	Battery according to DIN 43531/35/36 A, B, C, no			No				
	6-4	Battery voltage/nominal capacity K5	(V)/(Ah)		115.2V/228Ah	153.6V/228Ah	115.2V/228Ah	153.6V/228Ah	
ADDITIONAL DATA	6-5	Battery weight	kg		235	330	235	330	
	6-6	Energy consumption according to VDI cycle	kWh/h		4.75	5.4	5.1	5.78	
	6-7	Turnover output	t/h		135	162	145	173	
	6-8	Energy consumption at turnover output	kWh/h		5.8	5.5	6.27	5.9	
	8-1	Type of drive unit			PM AC				
	10-1	Operating pressure for attachments	bar		140				
	10-2	Oil volume for attachments <sup>(5)</sup>	l/min		64				
	10-7	Sound pressure level at the driver's seat	dB (A)		66				
ADDITIONAL DATA	10-7-1	Sound power level during the workcycle <sup>(6)</sup>	dB (A)		82	81	82	81	
	10-8	Towing coupling, type DIN			PIN				

(1) Without load backrest.

(2) h6 subject to +/- 5mm tolerance.

(3) Full suspension seat in depressed position.

(4) Add 32mm with load backrest.

(5) Variable.

(6) LPAZ, measured according to the test cycles and based on the weighting values contained in EN12053.

## Specification sheet truck based on:

VDI 2198, with the following configuration: Complete truck with 3000mm 2-stage limited free lift mast, standard carriage and 1070mm forks, overhead guard and standard pneumatic drive and steer tyres.

# J3.0-3.5 XTLG SERIES SPECIFICATIONS

GENERAL	1-1	Manufacturer			Hyster				
	1-2	Model designation			J3.0XTLG		J3.5XTLG		
WEIGHT	1-3	Drive			Electric				
	1-4	Operator type			Seat				
WHEELS	1-5	Rated capacity/rated load	Q	kg	3000		3500		
	1-6	Load centre distance	c	mm	500		510		
	1-8	Load distance, centre of drive axle to fork	x	mm	491		510		
DIMENSIONS	1-9	Wheelbase (with mast vertical)	y	mm	1700				
	2-1	Service weight	kg	kg	4275	4330	4675	4730	
	2-2	Axle loading, laden front/rear	kg	kg	6416/859	6465/865	7210/965	7260/970	
	2-3	Axle loading, unladen front/rear	kg	kg	1710/2565	1732/2598	1846/2829	1868/2862	
PERFORMANCE	3-1	Tyres front/rear			Pneumatic				
	3-2	Tyre size, front			28x9-15-14PR				
	3-3	Tyre size, rear			6.50-10-10PR				
	3-5	Wheels, number front/rear			2x /2				
	3-6	Tread, front	b10		1000				
	3-7	Tread, rear	b11		970				
	4-1	Tilt of mast/fork carriage, forward /backward	$\alpha / \beta$		6/12				
	4-2	Height, mast lowered	h1		2150				
	4-3	Free lift	h2		165		170		
	4-4	Lift	h3		3000				
	4-5	Height, mast extended <sup>(1)</sup>	h4		3640		3700		
	4-7	Height of overhead guard(cabin) <sup>(2)</sup>	h6		2205				
	4-8	Seat height/stand height <sup>(3)</sup>	h7		1215				
	4-12	Towing coupling height	h10		260				
	4-19	Overall length	l1		3763		3853		
	4-20	Length to face of forks	l2		2693		2783		
	4-21	Overall width	b1		1228				
	4-22	Fork dimensions ISO2331	s/e/l		45/122/1070		50/122/1070		
	ELECTRIC ENGINE	4-23	Fork carriage ISO 2328. Class/type, A/B			IIIA			
		4-24	Fork carriage width <sup>(4)</sup>	b3	mm	1100			
4-31		Ground clearance, laden, below mast	m1	mm	140				
4-32		Ground clearance, centre of wheelbase	m2	mm	155				
4-33		Load dimension b12 x l6 crossways	b12 x l6	mm	1000*1000				
4-34		Aisle width with predetermined load dimensions	Ast	mm	4125		4220		
4-34-1		Aisle width with pallets 1000mm x 1200mm crossways	Ast	mm	4125		4220		
4-34-2		Aisle width with pallets 800mm x 1200mm crossways	Ast	mm	3925		4020		
4-35		Turning radius	Wa	mm	2430		2500		
4-36		Inner turning radius	b13	mm	823				
ADDITIONAL DATA	5-1	Travel speed, laden/unladen		km/h	15/15	19/19	15/15	19/19	
	5-1-1	Travel speed, laden / unladen, backwards		km/h	12/12	16/16	12/12	16/16	
	5-2	Lifting speed, laden/unladen		mm/s	350/380	430/500	350/380	430/500	
	5-3	Lowering speed laden/unladen		mm/s	420/500				
	5-5	Drawbar pull laden/unladen		N	19000/16000	26000/17000	19000/16000	27000/17000	
	5-8	Maximum gradeability, laden/unladen		%	15/15	20/20	15/15	20/20	
	5-9	Acceleration time, laden/unladen 15m		sec	5.6/5.5				
GENERAL	5-10	Service brake			Hydraulic				
	6-1	Drive motor rating S2 60 min		Kw	15	21.6	15	21.6	
	6-2	Lift motor rating at S3 15 %		Kw	15	22.6	15	22.6	
	6-3	Battery according to DIN 43531/35/36 A, B, C, no			No				
	6-4	Battery voltage/nominal capacity K5		(V)/(Ah)	115.2V/228Ah	153.6V/228Ah	115.2V/228Ah	153.6V/228Ah	
	6-5	Battery weight		kg	235	330	235	330	
	6-6	Energy consumption according to VDI cycle		kWh/h	5.78	6.4	6.32	7	
	6-7	Turnover output		t/h	165	192	180	210	
ADDITIONAL DATA	6-8	Energy consumption at turnover output		kWh/h	7.1	6.54	7.76	7.14	
	8-1	Type of drive unit			PM AC				
	10-1	Operating pressure for attachments		bar	140				
	10-2	Oil volume for attachments <sup>(5)</sup>		l/min	64				
	10-7	Sound pressure level at the driver's seat		dB (A)	66				
	10-7-1	Sound power level during the workcycle <sup>(6)</sup>		dB (A)	82	81	82	81	
10-8	Towing coupling, type DIN			PIN					

(1) Without load backrest.

(2) h6 subject to +/- 5mm tolerance.

(3) Full suspension seat in depressed position.

(4) Add 32mm with load backrest.

(5) Variable.

(6) LPAZ, measured according to the test cycles and based on the weighting values contained in EN12053.

## Specification sheet truck based on:

VDI 2198, with the following configuration: Complete truck with 3000mm 2-stage limited free lift mast, standard carriage and 1070mm forks, overhead guard and standard pneumatic drive and steer tyres.

# MAST AND CAPACITY INFORMATION

## J2.OXTLG, J2.5XTLG, J3.OXTLG, J3.5XTLG RATED CAPACITY @ 500MM LOAD CENTRE

Mast Type	Mast Specification	Max. Fork Lift	Overall Extended Height						Free Lift		Load Distance		Mast Tilt		Load Capacity			
			Lowered Height		Lift Height				Without Load Backrest	With Load Backrest					Load Center @ 500mm		Front Single Pneu Tyres	
			2.0t	2.5t	2.0t	2.5t	2.0t	2.5t			2.0t	2.5t	2.0t	2.5t	Fwd	Back	2.0t	2.5t
			mm	mm	mm	mm	mm	mm	mm	mm	mm	mm	(°)	(°)	kg	kg	kg	kg
2 Stage LFL	M300	3000	2010	2010	3575	3575	3990	3990	160	160	465	465	6	12	2000	2500	2000	2500
	M330	3300	2160	2160	3875	3875	4290	4290	160	160	465	465	6	12	2000	2500	2000	2500
	M370	3700	2360	2360	4275	4275	4690	4690	160	160	465	465	6	6	2000	2500	2000	2500
	M400	4000	2560	2560	4575	4575	4990	4990	160	160	465	465	6	6	2000	2500	2000	2500
3 Stage FFL	TFM450	4500	2060	2060	5017	5017	5490	5490	1440	1070	485	485	6	6	1830	2020	1900	2340
	TFM480	4800	2160	2160	5317	5317	5790	5790	1540	1170	485	485	6	6	1710	1890	1830	2260
	TFM550	5500	2425	2425	6017	6017	6490	6490	1800	1430	485	485	3	6	1110	1280	1660	2070
	TFM600	6000	2610	2610	6517	6517	6990	6990	1990	1620	485	485	3	6	850	1010	1520	1920
	TFM650	6500	2825	2825	7017	7017	7490	7490	2215	1835	485	485	3	6	610	740	1380	1760

Mast Type	Mast Specification	Max. Fork Lift	Overall Extended Height						Free Lift				Load Distance		Mast Tilt		Load Capacity			
			Lowered Height		Lift Height				Without Load Backrest		With Load Backrest						Load Center @ 500mm		Front Single Pneu Tyres	
			3.0t	3.5t	3.0t	3.5t	3.0t	3.5t	3.0t	3.5t	3.0t	3.5t	3.0t	3.5t	Fwd	Back	3.0t	3.5t	3.0t	3.5t
			mm	mm	mm	mm	mm	mm	mm	mm	mm	mm	mm	mm	mm	(°)	(°)	kg	kg	kg
2 Stage LFL	M300	3000	2075	2150	3640	3700	4100	4100	165	170	165	170	490	510	6	12	3000	3500	3000	3500
	M330	3300	2225	2300	3940	4000	4400	4400	165	170	165	170	490	510	6	12	3000	3500	3000	3500
	M370	3700	2425	2500	4340	4400	4800	4800	165	170	165	170	490	510	6	6	3000	3500	3000	3500
	M400	4000	2625	2700	4640	4700	5100	5100	165	170	165	170	490	510	6	6	3000	3310	3000	3490
3 Stage FFL	TFM450	4500	2125	2200	5100	5140	5600	5600	1525	1560	1025	1100	505	520	6	6	2680	2870	2790	3260
	TFM480	4800	2225	2300	5400	5440	5900	5900	1625	1660	1125	1200	505	520	6	6	2610	2630	2710	3180
	TFM550	5500	2490	2565	6100	6140	6600	6600	1880	1915	1380	1455	505	520	3	6	1860	1920	2510	2950
	TFM600	6000	2675	2750	6600	6640	7100	7100	2075	2110	1575	1650	505	520	3	6	1280	1450	2340	2690
	TFM650	6500	2890	2965	7100	7140	7600	7600	2260	2290	1790	1830	505	520	3	6	820	920	2140	2250

# LI-ION BATTERY AND CHARGER DATA

## LI-ION BATTERY DATA – J2.0-3.5 XTLG

Battery Type			115.2V228AH	153.6V228AH
Dimension	L x W x H	mm	657 x 700 x 608	734 x 658 x 735
Weight		kg	280	340
Battery Color	HYG HCE-51 Black			
Nominal Voltage		V	115.2	153.6
Maximum Voltage		V	130	173.8
Minimum Voltage		V	100	122.4
Nominal Capacity		Ah	228	
Usable Capacity		Ah	205	
Energy		kWh	26.3	35
Nominal Discharge Current		A	220	250
Maximum Discharge Current -5s		A	400	
Nominal Charge Current		A	100	150
Maximum Charge Current -5s		A	150	170
Operating Temperature		°C	-25 – 45	
Charging Temperature		°C	0 – 45	
Power Connector	Cable			
Power Connector Position	Side			
Charge Connector			DIN 160A	GB 250A Socket
Charge Connector Position	Side			
Antiarc Type	N/A			
CANBUS Protocol	HYG			
CANBUS Speed	125Kbps for CH and TR			
Chemistry	LFP			

## LI-ION CHARGER DATA – J2.0-3.5 XTLG

Charger type			HWCD18-115V50A		HWCD18-153.6V100A	
Maximum output power		kW	6.9	13.8	17.5	19.2
Rated output current		A	50		100	150
Output voltage range		V	60-138		60-180	
Current limit adjustable range		A	0-50		0-100	0-150
Peak-peak murmurs		%	≤1			
Precision of voltage regulation		%	≤±0.5			
Steady current accuracy		%	≤±0.5			
Parallel current sharing module		%	≤±5			
Machine efficiency			Output 70 ~ 96 VDC, load ≥50% rated, the whole machine efficiency ≥94%	Load ≥50% rated, the whole machine efficiency ≥94%		
Output protection	Short-circuit, over-current, over-voltage, reverse connection, current backflow protection					
Rated input voltage	Three-phase four-wire system 380Vac±15%					
Input Voltage Range		Vac	320 ~ 450			
Input Current		A	11.8	23.5	30.3	31.9
Input frequency		Hz	45 ~ 65			
Power Factor		PF	≥0.99			
Current distortion		THD %	≤5			
Input Protection	Over-voltage, under-voltage, lack of phase, over-current protection					
Working environment temperature	-30°C – 55°C normal operation; 57°C – 75°C reduction output; over 75°C shutdown protection					
Storage temperature		°C	-40 ~ 75			
Relative humidity		%	0 ~ 95			
Altitude	≤2000m full load output, 2000-3000m according to GB/T3859.2-19935.11.2, capacity reduction					
Insulation Strength	Input-output: 2800Vdc 1minute≤10mA					
	Input-shell: 2800Vdc 1minute≤10mA					
	Output-shell: 1400Vdc 1minute≤10mA					
	Input-output: DC500V>10MΩ Input-shell: DC500V>10MΩ Output-shell: DC500V>10MΩ					
External dimension (host)	L x W x H	mm	558 × 330 × 617			
One machine net weight		kg	47			
Protection level	IP54					
Output plug-in model	Reema 160A mother			WOER 125A DC Charging Gun		
Output plug-in specifications	Comply with GB/T 20234-2015.3					
Heat dissipation mode	Forced wind cooling					
Auxiliary Power Supply	12V power supply 6A/75W					
Batteries	Lithium batteries					
CAN protocol	HYG					

# STANDARD AND OPTIONAL EQUIPMENT

## PERFORMANCE

115.2 Volt electrical system with Rema Connection
153.6 Volt electrical system with GB Connection
Standard Construction
Drum Brakes
Antistatic Strap
115.2V 228Ah (26.2kWh) Integrated Li-ion battery
115.2V/50A Three Phase Lithium Ion LFP CACTi charger with REMA160A Connector (input 320V-450V)
115.2V/100A Three Phase Lithium Ion LFP CACTi charger with REMA160A Connector (input 320V-450V)
153.6V 228Ah(35.1kWh) Integrated Li-ion battery
153.6V/100A Three Phase Lithium Ion LFP CACTi charger with GB 250A Connector (input 320V-450V)
153.6V/150A Three Phase Lithium Ion LFP CACTi charger with GB 250A Connector (input 320V-450V)
Battery Disconnect

## OPERATION

Key Switch Start
Traction Speed Limiter
Operator Presence System (OPS)
Manual Park Brake

## DRIVE

Directional Lever
MONOTROL® Directional Control Pedal
Standard Tread
Dual Tread
Tyres - Super Elastic
Tyres - Super Elastic Non-Marking
Tyres - PR Pneumatic

## LIFT

2 Stage Limited Free Lift - Class II
3 Stage Full Free Lift - Class II
2 Stage Limited Free Lift - Class III
3 Stage Full Free Lift - Class III
Mast tilt - 6° Forward / 6° Back
Mast tilt - 6° Forward / 12° Back
With Tilt Cylinder Boots

## HANDLING

Hook Type Carriage - 1038mm Class II
Hook Type Carriage - 1100mm Class III
Hook Type Carriage - 1200mm Class II
Hook Type Integral Sideshift Carriage - 1040mm Class II
Hook Type Integral Side Shift Carriage - 1100mm Class III
Without Carriage
Without Load Backrest
940mm Load Backrest - Class II
1080mm Load Backrest - Jclass III
2 Function (0 Auxiliary) Hydraulic Valve
3 Function (1 Auxiliary) Hydraulic Valve
4 Function (2 Auxiliary) Hydraulic Valve
3 Function Hose Group (1 Auxiliary)
4 Function Hose Group (2 Auxiliary)
Manual lever hydraulic controls
Clamping Function
Hook Type Standard Forks - 1070mm
Hook Type Standard Forks - 1220mm
Hook Type Standard Forks - 1370mm
Hook Type Standard Forks - 1520mm
Hook Type Standard Forks - 1820mm
Hook Type Standard Forks - 1970mm
Hook Type Standard Forks - 2120mm
Hook Type Standard Forks - 2220mm
Hook Type Standard Forks - 2300mm
Hook Type Standard Forks - 2440mm

## CAB

Key Switch Start
Traction Speed Limiter
Operator Presence System (OPS)
Manual Park Brake

## ERGONOMICS

2180mm Overhead Guard J2.0-2.5XTLG
2205mm Overhead Guard J3.0-3.5XTLG
Non Suspension Vinyl Seat
Full Suspension Vinyl Seat (SC29) with Switch for OPS
Standard Seat Belt with Interlock
Steering wheel with spinner knob
Tyres - PR Pneumatic

## VISIBILITY

LED work lights
2 Front LED Work Lights with Stop, Tail, Indicator and Reverse Lights
2 Front and 1 Rear LED Work Lights with Stop, Tail, Indicator and Reverse Lights
Amber Strobe Light - Ignition and Switch Activated
Audible Reverse Alarm
Parking Alarm

## APPEARANCE

Hyster yellow paint base truck
Special paint base truck


## SUPPLEMENTAL

Literature package
Parts Manual
Warranty: 12 Months / 2,000 Hours Manufacturers Warranty (parts only)
60 months / 7,500 hours Integrated Li-ion Battery Warranty
12 months Li-ion CACTI Charger Warranty



**HYSTER EUROPE**  
Centennial House, Building 4.5, Frimley Business Park,  
Frimley, Surrey, GU16 7SG, United Kingdom

Visit us online at [www.hyster.com](http://www.hyster.com) or call us at **+44 (0) 1276 538500**.

HYSTER-YALE UK LIMITED trading as Hyster Europe.  
Registered Address: Centennial House, Building 4.5, Frimley Business Park, Frimley, Surrey GU16 7SG, United Kingdom.  
Registered in England and Wales. Company Registration Number: 02636775.  
© HYSTER-YALE UK LIMITED. 2023, all rights reserved. Hyster and  are trademarks of Hyster-Yale Group, Inc.  
Hyster products are subject to change without notice. Trucks may be shown with optional equipment.



Safety: This truck conforms to the current EU requirements