

GMK5180-1

Product Guide

ANSI B30.5
Imperial 85%



Features

- 180 t (210 USt) capacity
- 64 m (210 ft) six-section main boom
- 18 m (59.1 ft) swingaway with jib and/or boom inserts
- Maximum 34 m (111.6 ft) length and up to 40° offset
- MAXbase variable outrigger positioning
- Single engine concept - less fuel consumption

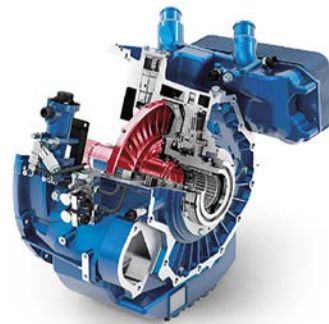
GROVE GMK5180-1

The GMK5180-1 puts power and performance to work for you with high capacities on a five-axle all-terrain crane and 64 m (210 ft) main boom.

Features

> VIAB turbo retarder clutch option

VIAB is a turbo coupling and integrated retarder all-in-one, which means less weight and less space. The Grove GMK5180-1 is the first all-terrain crane to utilize a VIAB turbo clutch module, which is used by a number of heavy duty trucks. It enables wear-free starting and braking, avoids overheating and burning, and reduces fuel consumption to a minimum; adding substantial fuel savings of approximately 30% compared with its predecessor, the GMK5225.



> Jobsite mobility

Logistic benefits due to interchangeable counterweight slabs and self-rigging auxiliary hoist. Once on the job site, the crane can be moved while carrying its full counterweight of 50 t (110,200 lb), and its ability to travel in this configuration saves valuable time on the job that would otherwise be taken up with installing and removing counterweight sections. Beside this the counterweight slabs are interchangeable with those of GMK5200-1, GMK5250L, GMK5250XL and GMK6300L. The self-rigging auxiliary hoist eliminates the need for an assist crane during on-site rigging.



> Multiple extension and jib options

To increase overall reach an optional 18 m (59 ft) swingaway with or without an integrated heavy duty jib are available with the ability to use either one 8 m (26 ft) or two 8 m (26 ft) inserts for a total possible jib length up to 34 m (112 ft).



> CraneSTAR is an exclusive and innovative crane asset management system

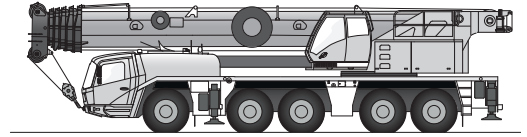
that helps improve your profitability and reduce costs by remotely monitoring critical crane data.

Visit www.cranestar.com for more information.

CraneSTAR®

Jobsite benefits

- > Lower operating costs due to 30% less diesel consumption on the driveline.
- > GMK5180-1 has five outrigger positions providing ultimate flexibility for jobsites with ability to place the crane in tighter places.
- > Mercedes engine and transmissions with VIAB turbo clutch for premium maneuverability, optimized fuel consumption and powerful integrated retarder.
- > Jobsite movement with full counterweight saves setup time.
- > Logistical benefits due to common parts with GMK5200-1, GMK5250L, GMK5250XL and GMK6300L.



Manitowoc Crane Care when you need it.

The assurance of the world's most advanced crane service and support to get you back to work fast.



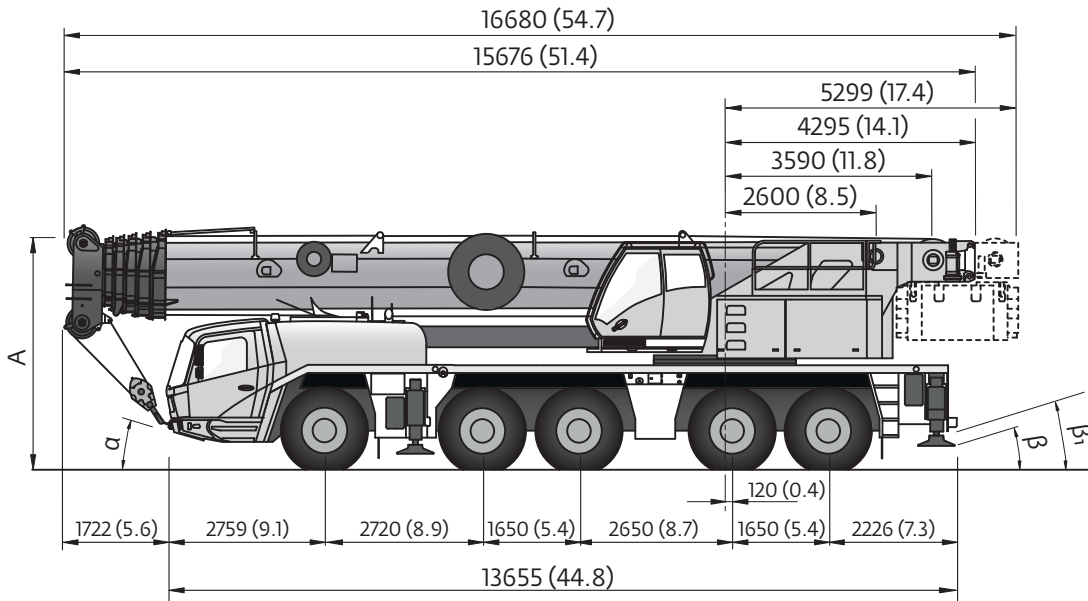
Manitowoc Finance helps you get right to work generating profits for your business.

Financial tools that help you capitalize on opportunity with solutions that fit your needs.

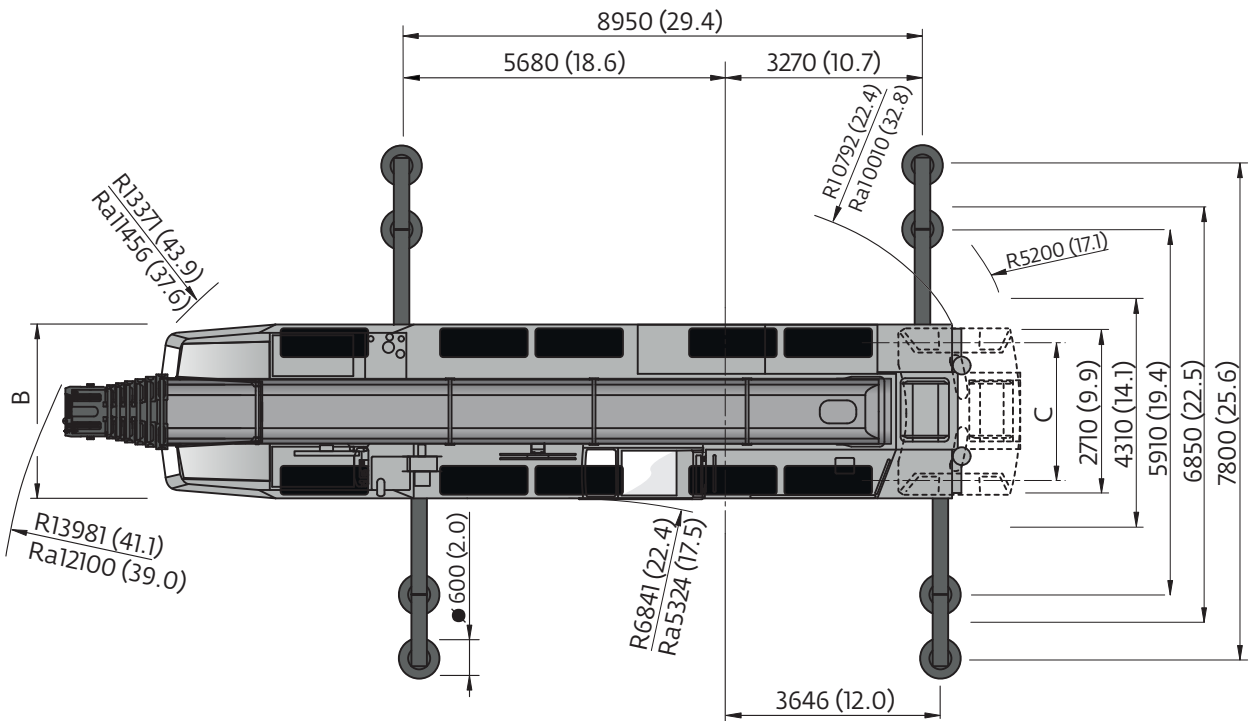
Contents

Dimensions	5
Data	9
Weights	10
Working range (Main boom)	12
Load chart (Main boom)	13
Working range (Main boom, extension and swingaway)	23
Load chart (Main boom and swingaway)	24
Load chart (Main boom, extension and swingaway)	31
Specifications	34
Symbols glossary	35

Dimensions



Dimensions shown are in mm (ft).



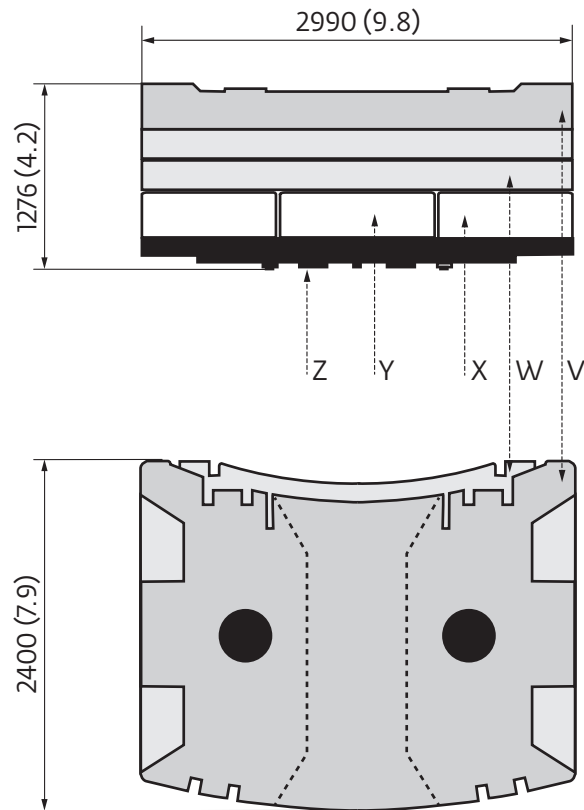
Ra = Radius all wheels steered

	A	A 130 mm**	B	C	D	E	F	α	β	β_1
385/95 R25	3950 (13.0)	3820 (12.5)	3000 (9.8)	2570 (8.4)	1822 (6.0)	486 (1.6)	228 (0.8)	14	8	6
445/95 R25	4000 (13.1)	3870 (12.7)	3000 (9.8)	2510 (8.2)	1872 (6.1)	536 (1.8)	278 (0.9)	16	10	8
525/80 R25	4000 (13.1)	3870 (12.7)	3100 (10.2)	2530 (8.2)	1872 (6.1)	536 (1.8)	278 (0.9)	16	10	8


** Lowered

Dimensions

Counterweight

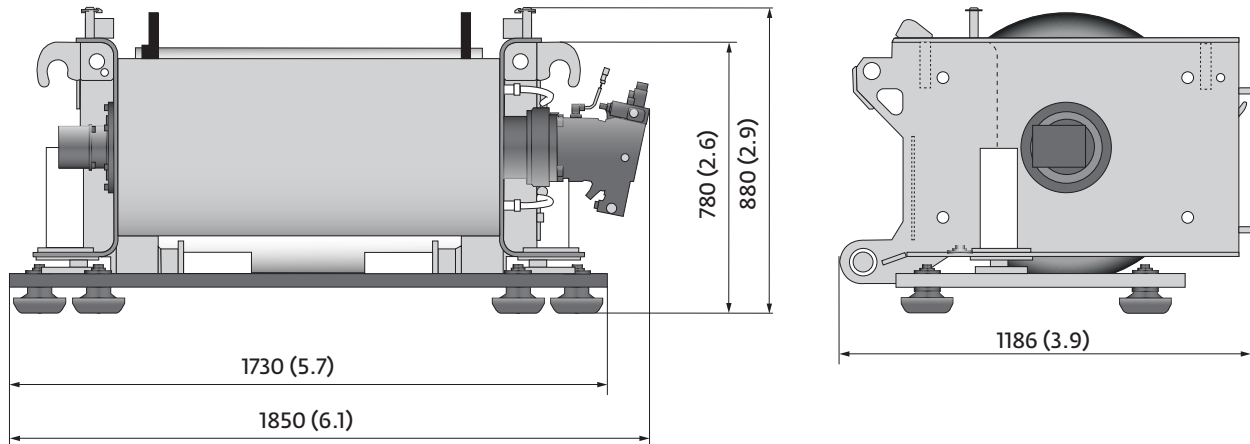


Dimensions shown are in mm (ft).

	Z 7,0 t (7.7 USt)	Y 4,5 t (5.0 USt)	X 4,75 t (5.2 USt)	W 9,5 t (10.5 USt)	V 10,0 t (11.0 USt)
7,0 t (7.7 USt)	x				
16,5 t (18.2 USt)	x		2 x		
21 t (23.1 USt)	x	x	2 x		
26 t (28.7 USt)	x		2 x	x	
30,5 t (33.6 USt)	x	x	2 x	x	
35,5 t (39.1 USt)	x		2 x	2 x	
40 t (44.1 USt)	x	x	2 x	2 x	
45,5 t (50.2 USt)	x		2 x	2 x	x
50,0 t (55.1 USt)	x	x	2 x	2 x	x

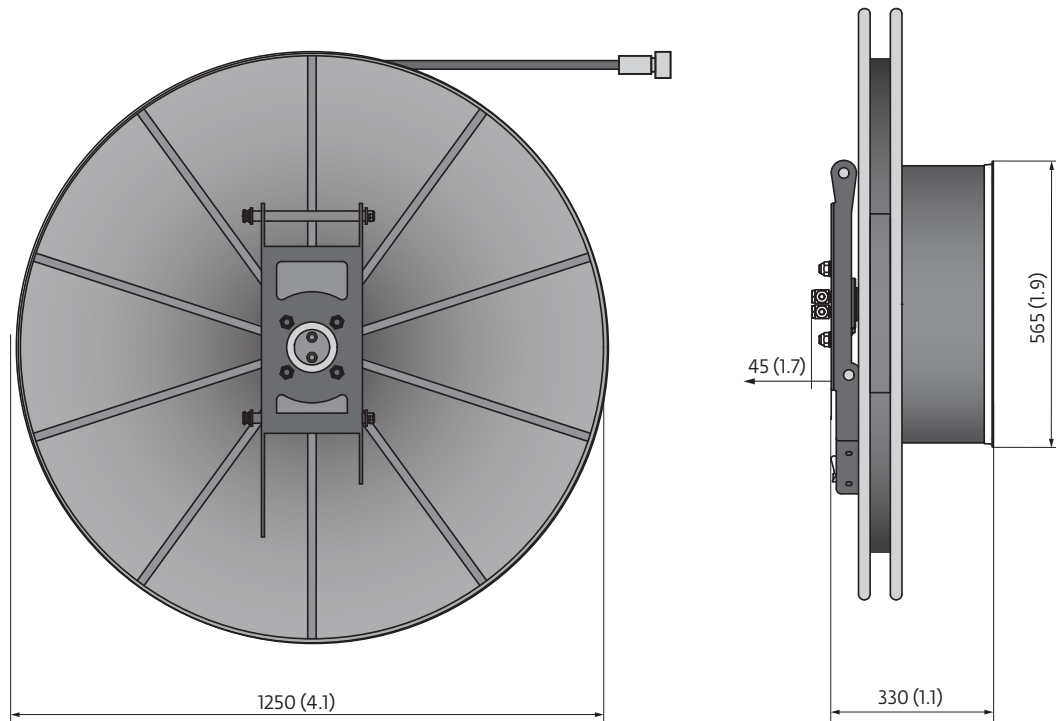
Dimensions

Auxiliary hoist



Dimensions shown are in mm (ft).

Hose reel

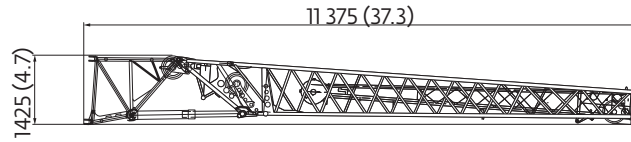


Dimensions shown are in mm (ft).

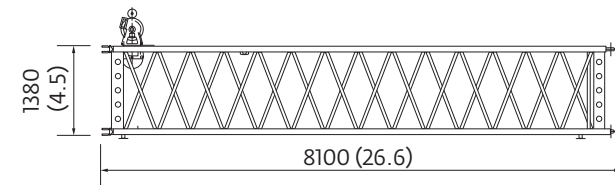
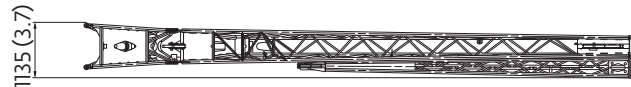
Dimensions

Jib combinations

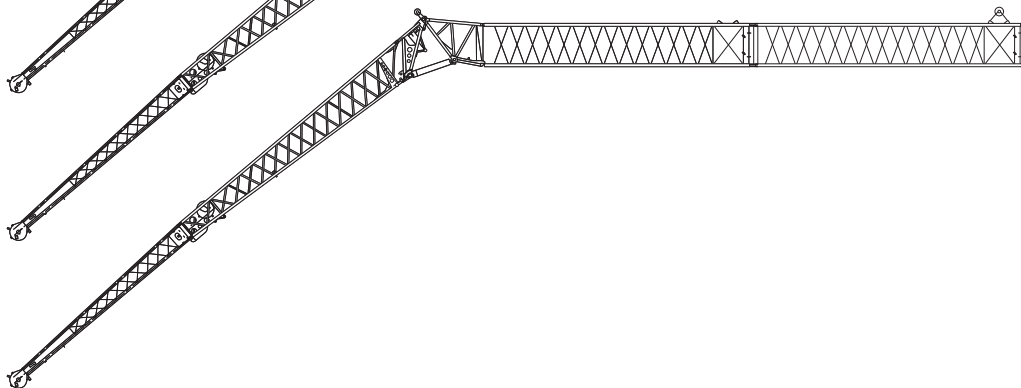
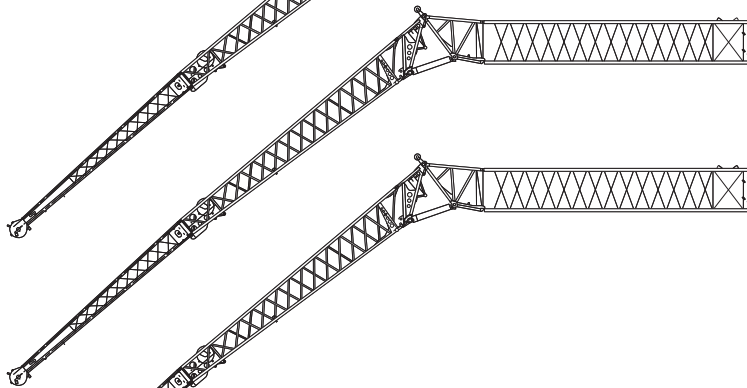
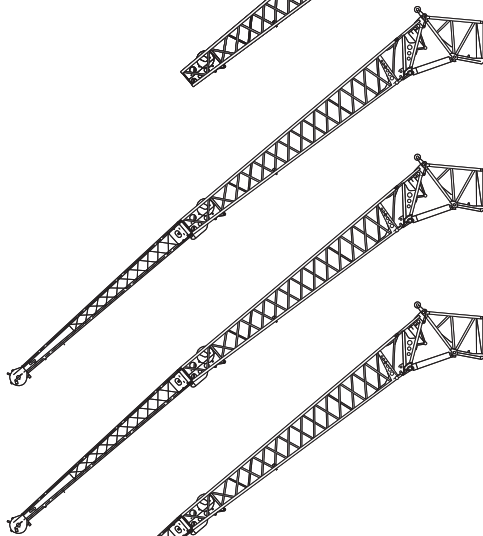
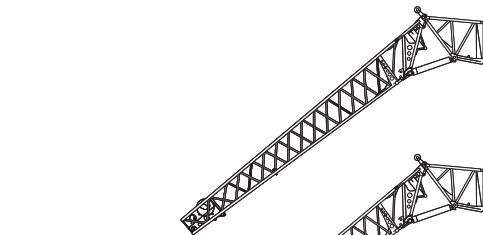
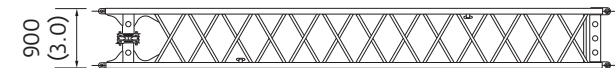
Dimensions shown are in mm (ft).



1,75 t (3858 lb)



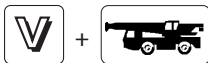
0,65 t (1433 lb)





Lifting Capacity	Sheaves	Weight	Parts of line	Possible load with crane
200 t (220 USt)	9	2400 kg (5291 lb)	2-18 ▪	180 t (198 USt) ▪
160 t (176 USt)	7	1750 kg (3858 lb)	2-15	150 t (165 USt)
125 t (138 USt)	5	1650 kg (3683 lb)	2 - 11	110 t (121 USt)
80 t (88 USt)	3	950 kg (2095 lb)	2 - 7	70 t (77 USt)
32 t (35 USt)	1	600 kg (1323 lb)	2 - 3	30 t (33 USt)
12 t (13 USt)	Overhaul Weight	400 kg (880 lb)	1	10 t (11 USt)

▪ 0° over rear with special equipment



	1	2	3	4	5	6	7	8	9	10	11	12	R	
mp/h	5.4	7.0	9.0	11.6	14.7	18.9	25.0	32.0	41.0	53.0	67.0	85.0	6.0	50 %
	14.00R25 (385/95R25), 16.00R25 (445/95R25), 20.5R25 (525/80R25)													

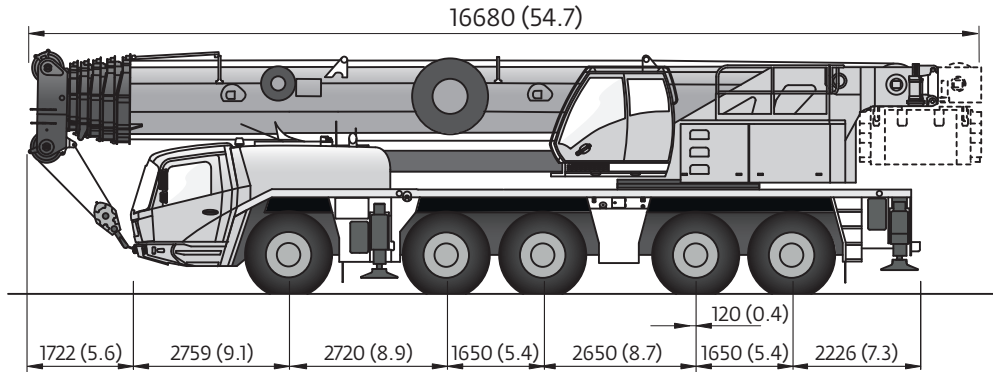
* Theoretical gradeability



	Infinitely variable	Rope	Max. single line pull
	0 - 125 m/min (0 - 410 FPM) Single line	22 mm/300 m (22 mm/984 ft)	93.5 kN (21,020 lb)
	0 - 125 m/min (0 - 410 FPM) Single line	22 mm/330 m (22 mm/1083 ft)	93.5 kN (21,020 lb)
	0 - 1,45 min ⁻¹		
	-1.5° to + 82° approx. 65 s		
	13,7 to 64,0 m (44.9 ft - 210 ft) approx. 430 s		

Weights

Boom over front

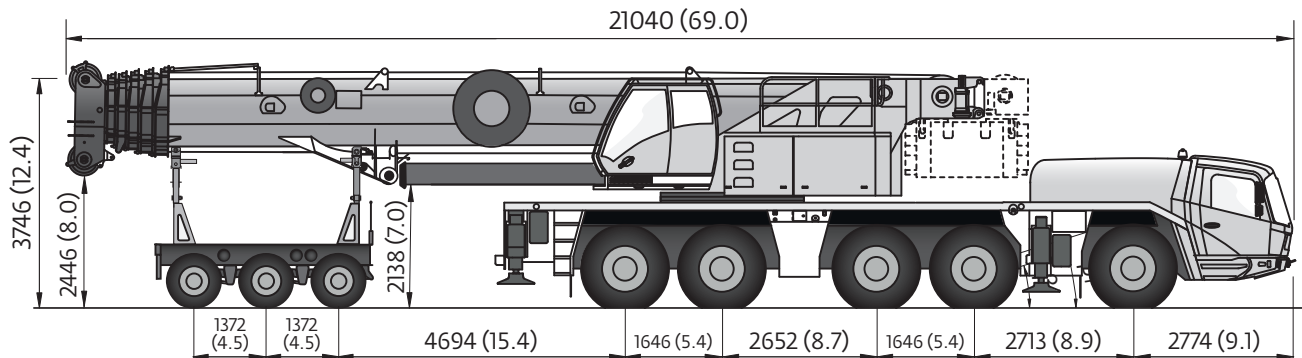


Dimensions shown are in mm (ft).

Basic Weights - kg. (lb.)	Axles 1 and 2	Axles 3-5	Total
Mercedes power Tier 4 Final, 16.00 R25 tires, 10x6x10 drive/steer, 2nd oil cooler, nylatron outrigger pads, full fuel tank.	22.480 kg (49,560 lb)	34.500 kg (76,050 lb)	56.980 kg (125,610 lb)
Additions			
10X8X10 drive/steer	182 kg (401 lb)	209 kg (460 lb)	209 kg (861 lb)
Spare wheel 14.00 R25 XGC steel rim with stowage	-224 kg (-493 lb)	509 kg (1122 lb)	285 kg (628 lb)
Spare wheel 16.00 R25 XGC steel rim with stowage	-265 kg (-585 lb)	603 kg (1330 lb)	338 kg (745 lb)
Spare wheel 20.5 R25 XGC steel rim with stowage	-315 kg (-694 lb)	716 kg (1578 lb)	401 kg (884 lb)
Brackets for hydraulic swingaway	39 kg (87 lb)	55 kg (120 lb)	94 kg (207 lb)
Hose reel for hydraulic swingaway	178 kg (392 lb)	27 kg (60 lb)	205 kg (452 lb)
11 m - 18 m (39 ft - 59 ft) hydraulic swingaway	1970 kg (4343 lb)	-220 kg (-485 lb)	1750 kg (3858 lb)
Auxiliary hoist	-2098 kg (-4626 lb)	4353 kg (9597 lb)	2255 kg (4971 lb)
7000 kg (15,400 lb) base plate stowed on carrier	4770 kg (10,515 lb)	1943 kg (4285 lb)	6713 kg (14,800 lb)
7000 kg (15,400 lb) base plate fixed to turntable	-5306 kg (-11,700 lb)	-4349 kg (26,500 lb)	6713 kg (14,800 lb)
Substitutions			
14.00R25 tires	-212 kg (-468 lb)	-318 kg (-702 lb)	530 kg (-1170 lb)
20.5R25 tires	252 kg (556 lb)	378 kg (834 lb)	630 kg (1390 lb)
Removals			
Boom assembly w/o lift cylinder	-13.362 kg (-29,459 lb)	-5311 kg (-11,708 lb)	-18.673 kg (-41,167 lb)
Front outriggers	-2063 kg (-4549 lb)	-15 kg (-34 lb)	-2078 kg (-4583 lb)
Rear outriggers	1772 kg (3907 lb)	-4349 kg (-9588 lb)	-2577 kg (-5681 lb)
Front and rear nylatron outrigger floats	-21 kg (-47 lb)	-179 kg (-394 lb)	-200 kg (-441 lb)

Weights

Trailing Boom



Dimensions shown are in mm (ft).

Basic Weights - kg (lb)	Axles 1 and 2	Axles 3-5	Dolly	Total
GMK 5180-1 Mercedes power Tier 4 Final with: 20.5R25 tires, 10x8x10 drive/steer, 12.5 m-21.3m (39-59 ft) hydraulic swingaway, auxiliary boom nose, 2nd oil cooler, nylatron outrigger pads, auxiliary hoist, full fuel tank, 3 axle boom dolly (4309 kg / 9400 lb)"	18.380 kg (40,520 lb)	29.700 kg (65,460 lb)	18.570 kg (40,950 lb)	66.650 kg (146,930 lb)
Additions				
7000 kg (15,400 lb) base plate stowed on carrier	4770 kg (10,515 lb)	1943 kg (4285 lb)	0 kg (0 lb)	6713 kg (14,800 lb)
7000 kg (15,400 lb) base plate fixed to turntable	4770 kg (10,515 lb)	1943 kg (4285 lb)	0 kg (0 lb)	6713 kg (14,800 lb)
Removals				
Brackets for hydraulic swingaway incl. hose reel	-69 kg (-150 lb)	-54 kg (-120 lb)	-200 kg (-420 lb)	-323 kg (-690 lb)
11 m - 18 m (39 ft - 59 ft) hydraulic swingaway	-118 kg (-260 lb)	-150 kg (-330 lb)	-1474 kg (-3250 lb)	-1742 kg (-3840 lb)
Auxiliary hoist	-1917 kg (-4227 lb)	-337 kg (-744 lb)	0 kg (0 lb)	-2254 kg (-4971 lb)
Auxiliary boom nose	9 kg (20 lb)	5 kg (11 lb)	-81 kg (-180 lb)	-68 kg (-149 lb)
Front outriggers	-2063 kg (-4549 lb)	-15 kg (-34 lb)	0 kg (0 lb)	-2078 kg (-4583 lb)
Rear outriggers	1772 kg (3907 lb)	-4349 kg (-9588 lb)	0 kg (0 lb)	-2577 kg (-5681 lb)
Front and rear nylatron outrigger floats	-31 kg (-47 lb)	-179 kg (-394 lb)	0 kg (0 lb)	-200 kg (-441 lb)
Substitutions				
10X6X10 drive/steer	-182 kg (-401 lb)	-208 kg (-460 lb)	0 kg (0 lb)	-390 kg (-861 lb)
14.00R25 tires	-464 kg (-1023 lb)	-696 kg (-1535 lb)	0 kg (0 lb)	-1160 kg (-2558 lb)
16.00R25 tires	-252 kg (-555 lb)	-378 kg (-834 lb)	0 kg (0 lb)	-630 kg (-1389 lb)

Working range

Main boom



13,7 m - 64,0 m (44.9 ft - 210 ft)



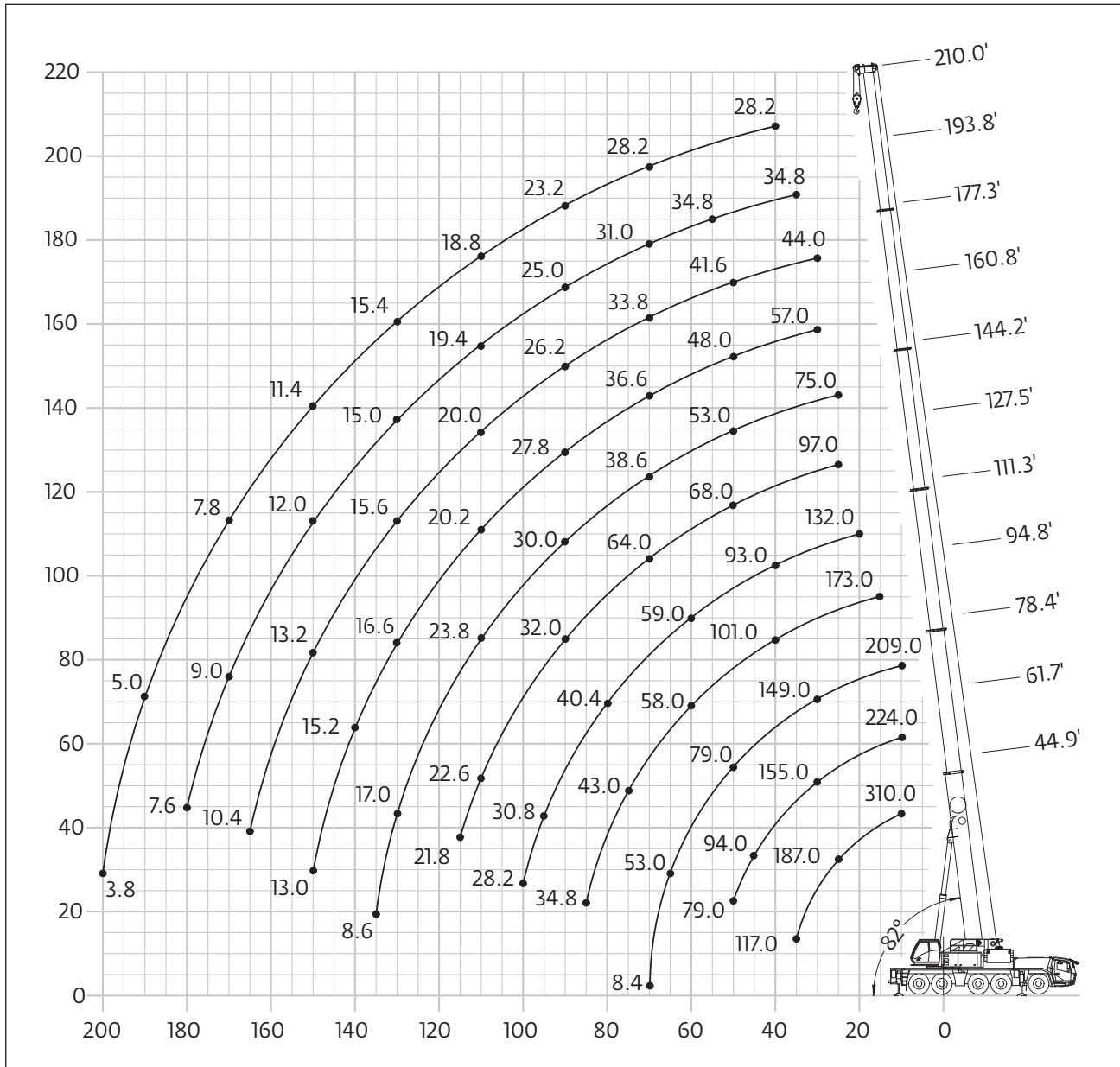
7,8 m (25.6 ft)



360°



50 t (110,200 lb)



	Hook block (t)	H
	200 D (220 USt)	3800 mm (12.5 ft)
	160 D (176 USt)	3650 mm (12.0 ft)
	125 D (138 USt)	3600 mm (11.8 ft)
	80 E/D (88 USt)	3600 mm (11.8 ft)
	32 E (35 USt)	3400 mm (11.2 ft)
12 H/B (13 USt)	2800 mm (9.2 ft)	

THIS CHART IS ONLY A GUIDE AND SHOULD NOT BE USED TO OPERATE THE CRANE.
 The individual crane's load chart, operating instructions and other instructional plates must be read and understood prior to operating the crane.

Load chart

Main boom



13,7 m - 64,0 m (44.9 ft - 210 ft)



7,8 m (25.6 ft)



360°



50 t (110,200 lb)



ft	44.9	61.7	78.4	94.8	111.3	127.5	144.2	160.8	177.3	193.8	210.0	ft
8.0	420.0*											
10.0	310.0	224.0	209.0									10.0
15.0	278.0	224.0	209.0	173.0								15.0
20.0	226.0	224.0	196.0	163.0	132.0							20.0
25.0	187.0	187.0	169.0	144.0	123.0	97.0	75.0					25.0
30.0	155.0	155.0	149.0	127.0	112.0	91.0	74.0	57.0	44.0			30.0
35.0	117.0	129.0	127.0	113.0	102.0	84.0	70.0	56.0	44.0	34.8		35.0
40.0		112.0	105.0	101.0	93.0	79.0	64.0	54.0	44.0	34.8	28.2	40.0
45.0		94.0	90.0	87.0	86.0	73.0	58.0	51.0	43.0	34.8	28.2	45.0
50.0		79.0	79.0	76.0	75.0	68.0	53.0	48.0	41.6	34.8	28.2	50.0
55.0			68.0	66.0	66.0	64.0	49.0	45.0	39.8	34.8	28.2	55.0
60.0			59.0	58.0	59.0	59.0	45.0	42.0	37.8	33.8	28.2	60.0
65.0			53.0	54.0	52.0	53.0	41.4	39.4	35.8	32.4	28.2	65.0
70.0				48.0	46.0	48.0	38.6	36.6	33.8	31.0	28.2	70.0
75.0				43.0	43.0	43.4	36.0	34.2	32.0	29.4	27.0	75.0
80.0				38.6	40.4	39.2	33.4	32.0	30.0	28.0	25.8	80.0
85.0				34.8	37.0	35.2	31.4	29.8	28.0	26.4	24.6	85.0
90.0					33.8	32.0	30.0	27.8	26.2	25.0	23.2	90.0
95.0					30.8	29.0	28.6	26.2	24.6	23.4	22.0	95.0
100.0					28.2	26.4	27.4	24.4	23.0	21.8	20.8	100.0
105.0						24.0	25.8	22.4	21.2	20.6	19.8	105.0
110.0						22.6	23.8	20.2	20.0	19.4	18.8	110.0
115.0						21.8	21.8	18.6	19.0	18.4	18.0	115.0
120.0							20.0	18.0	17.2	17.4	17.2	120.0
125.0							18.4	17.4	16.4	16.4	16.4	125.0
130.0							17.0	16.6	15.6	15.0	15.4	130.0
135.0							8.6	16.2	15.0	13.8	14.8	135.0
140.0								15.2	14.4	13.2	13.6	140.0
145.0								14	14.0	12.6	12.4	145.0
150.0								13	13.2	12.0	11.4	150.0
155.0									12.2	11.4	10.4	155.0
160.0									11.2	10.6	9.4	160.0
165.0									10.4	9.8	8.6	165.0
170.0										9.0	7.8	170.0
175.0										8.2	7.0	175.0
180.0										7.6	6.2	180.0
185.0											5.6	185.0
190.0											5.0	190.0
195.0											4.4	195.0
200.0											3.8	200.0

* Over rear with special equipment.

THIS CHART IS ONLY A GUIDE AND SHOULD NOT BE USED TO OPERATE THE CRANE.
The individual crane's load chart, operating instructions and other instructional plates must be read and understood prior to operating the crane.

Load chart

Main boom



13,7 m - 64,0 m (44.9 ft - 210 ft)



7,8 m (25.6 ft)



360°



45.5 t (100,300 lb)



ft	44.9	61.7	78.4	94.8	111.3	127.5	144.2	160.8	177.3	193.8	210.0	ft
10.0	310.0	224.0	209.0									10.0
15.0	278.0	224.0	209.0	173.0								15.0
20.0	224.0	222.0	196.0	163.0	132.0	101.0						20.0
25.0	185.0	185.0	169.0	144.0	123.0	97.0						25.0
30.0	151.0	151.0	147.0	127.0	112.0	91.0	74.0	57.0	44.0			30.0
35.0	117.0	127.0	119.0	113.0	102.0	84.0	70.0	56.0	44.0	34.8		35.0
40.0		105.0	98.0	96.0	93.0	79.0	64.0	54.0	44.0	34.8	28.2	40.0
45.0		87.0	87.0	82.0	81.0	73.0	58.0	51.0	43.0	34.8	28.2	45.0
50.0		73.0	73.0	70.0	70.0	68.0	53.0	48.0	41.6	34.8	28.2	50.0
55.0			63.0	62.0	61.0	62.0	49.0	45.0	39.8	34.8	28.2	55.0
60.0			57.0	57.0	54.0	55.0	45.0	42.0	37.8	33.8	28.2	60.0
65.0			51.0	50.0	49.0	49.0	41.4	39.4	35.8	32.4	28.2	65.0
70.0				44.0	46.0	44.0	38.6	36.6	33.8	31.0	28.2	70.0
75.0				40.0	42.0	39.8	36.0	34.2	32.0	29.4	27.0	75.0
80.0				37.8	37.8	35.8	33.4	32.0	30.0	28.0	25.8	80.0
85.0				34.6	34.2	32.2	31.4	29.2	28.0	26.4	24.6	85.0
90.0					31.0	29.0	30.0	26.6	26.2	25.0	23.2	90.0
95.0					28.2	26.2	28.2	24.2	24.2	23.4	22.0	95.0
100.0					25.6	24.8	25.6	22.0	22.0	21.8	20.8	100.0
105.0						23.8	23.4	20.2	20.2	20.6	19.8	105.0
110.0						22.6	21.4	19.4	18.8	18.8	18.8	110.0
115.0						21.4	19.6	18.6	17.8	17.2	18.0	115.0
120.0							18.0	18.0	17.0	16.0	16.6	120.0
125.0							16.4	17.2	16.4	15.2	15.2	125.0
130.0							15.2	15.8	15.6	14.4	14.0	130.0
135.0							8.6	14.6	14.8	13.8	12.8	135.0
140.0								13.4	13.6	13.0	11.8	140.0
145.0								12.6	12.4	12.0	10.6	145.0
150.0								12	11.4	11.0	9.6	150.0
155.0									10.6	10.0	8.8	155.0
160.0									9.6	9.2	7.8	160.0
165.0									9.0	8.4	7.0	165.0
170.0										7.6	6.2	170.0
175.0										6.8	5.6	175.0
180.0										6.2	5.0	180.0
185.0											4.2	185.0
190.0											3.8	190.0
195.0											3.2	195.0
200.0											2.6	200.0

THIS CHART IS ONLY A GUIDE AND SHOULD NOT BE USED TO OPERATE THE CRANE.

The individual crane's load chart, operating instructions and other instructional plates must be read and understood prior to operating the crane.

Load chart

Main boom



13,7 m - 64,0 m (44.9 ft - 210 ft)



7,8 m (25.6 ft)



360°



40 t (88,100 lb)



ft	44.9	61.7	78.4	94.8	111.3	127.5	144.2	160.8	177.3	193.8	210.0	ft
10.0	310.0	224.0	209.0									10.0
15.0	276.0	224.0	209.0	173.0								15.0
20.0	222.0	220.0	196.0	163.0	132.0	101.0						20.0
25.0	180.0	180.0	169.0	144.0	123.0	97.0	75.0					25.0
30.0	146.0	146.0	135.0	127.0	112.0	91.0	74.0	57.0	44.0			30.0
35.0	117.0	120.0	109.0	105.0	102.0	84.0	70.0	56.0	44.0	34.8		35.0
40.0		96.0	94.0	88.0	87.0	79.0	64.0	54.0	44.0	34.8	28.2	40.0
45.0		79.0	79.0	74.0	74.0	73.0	58.0	51.0	43.0	34.8	28.2	45.0
50.0		68.0	66.0	68.0	63.0	64.0	53.0	48.0	41.6	34.8	28.2	50.0
55.0			60.0	59.0	57.0	56.0	49.0	45.0	39.8	34.8	28.2	55.0
60.0				52.0	52.0	53.0	49.0	45.0	42.0	37.8	33.8	60.0
65.0				46.0	45.0	48.0	44.0	40.8	39.4	35.8	32.4	65.0
70.0					42.6	42.4	39.4	36.6	35.2	33.8	31.0	70.0
75.0					38.6	37.8	35.4	34.6	31.6	31.4	29.4	75.0
80.0					34.8	33.8	31.8	33.0	28.4	28.4	28.0	80.0
85.0					31.4	30.4	28.6	30.2	25.6	25.6	25.8	85.0
90.0						27.4	27.2	27.6	23.6	23.2	23.4	90.0
95.0						24.8	26.0	25.0	22.4	21.6	21.2	95.0
100.0						22.6	24.2	22.6	21.2	20.6	19.6	100.0
105.0							22.2	20.6	20.2	19.6	18.6	105.0
110.0							20.4	18.6	19.4	18.8	17.6	110.0
115.0							18.6	17.0	17.8	17.8	16.8	115.0
120.0								16.4	16.2	16.4	15.6	120.0
125.0								15.8	14.8	15.0	14.4	125.0
130.0								15.2	14.2	13.8	13.2	130.0
135.0								8.4	13.6	12.6	12.0	135.0
140.0									13	11.6	11.0	140.0
145.0									12	11.0	10.0	145.0
150.0									11	10.0	9.0	150.0
155.0										9.2	8.2	155.0
160.0										8.4	7.2	160.0
165.0										7.6	6.6	165.0
170.0											5.8	170.0
175.0											5.2	175.0
180.0											4.6	180.0
185.0												185.0
190.0											2.2	190.0

THIS CHART IS ONLY A GUIDE AND SHOULD NOT BE USED TO OPERATE THE CRANE.
 The individual crane's load chart, operating instructions and other instructional plates must be read and understood prior to operating the crane.

Load chart

Main boom



13,7 m - 64,0 m (44.9 ft - 210 ft)



7,8 m (25.6 ft)



360°



35.5 t (78,200 lb)



ft	44.9	61.7	78.4	94.8	111.3	127.5	144.2	160.8	177.3	193.8	210.0	ft
10.0	310.0	224.0	209.0									10.0
15.0	274.0	224.0	209.0	173.0								15.0
20.0	219.0	217.0	196.0	163.0	132.0	101.0						20.0
25.0	177.0	177.0	164.0	144.0	123.0	97.0	75.0					25.0
30.0	140.0	140.0	125.0	120.0	112.0	91.0	74.0	57.0	44.0			30.0
35.0	107.0	111.0	105.0	97.0	96.0	84.0	70.0	56.0	44.0	34.8		35.0
40.0		88.0	87.0	81.0	79.0	79.0	64.0	54.0	44.0	34.8	28.2	40.0
45.0		75.0	73.0	72.0	68.0	67.0	58.0	51.0	43.0	34.8	28.2	45.0
50.0		63.0	64.0	62.0	62.0	58.0	53.0	48.0	41.6	34.8	28.2	50.0
55.0			55.0	54.0	55.0	51.0	47.0	45.0	39.8	34.8	28.2	55.0
60.0			48.0	49.0	49.0	45.0	41.6	40.2	37.8	33.8	28.2	60.0
65.0			41.4	45.0	43.2	39.8	38.6	35.6	35.2	32.4	28.2	65.0
70.0				39.4	38.6	35.4	36.4	31.6	31.4	31.0	28.2	70.0
75.0				35.2	34.2	31.8	32.8	28.2	28.0	28.2	27.0	75.0
80.0				31.4	30.6	30.0	29.8	26.2	26.0	25.4	25.8	80.0
85.0				28.4	27.4	28.6	27.0	24.8	24.4	23.8	23.4	85.0
90.0				15.6	24.6	26.4	24.6	23.6	22.8	22.4	21.2	90.0
95.0					22.2	24.0	22.2	22.4	21.6	21.0	19.2	95.0
100.0					21.2	21.8	20.0	20.6	20.4	19.4	17.4	100.0
105.0					15.8	19.8	18.4	18.8	18.6	17.6	15.8	105.0
110.0						18.0	17.6	17.2	17.2	16.2	14.4	110.0
115.0						16.4	17.0	16.2	15.8	14.8	13.0	115.0
120.0							15.8	15.4	14.4	13.6	11.8	120.0
125.0							14.4	14.6	13.6	12.4	10.8	125.0
130.0							13.4	13.4	12.4	11.2	9.6	130.0
135.0							6.6	12.2	11.2	10.2	8.8	135.0
140.0								11.2	10.2	9.2	7.8	140.0
145.0								10.2	9.2	8.2	7.0	145.0
150.0								9.4	8.4	7.4	6.0	150.0
155.0								9.2	7.6	6.6	5.2	155.0
160.0									6.8	5.8	4.4	160.0
165.0									6.2	5.0	3.8	165.0
170.0										4.4	3.2	170.0
175.0										3.8	2.6	175.0
180.0										3.2		180.0

THIS CHART IS ONLY A GUIDE AND SHOULD NOT BE USED TO OPERATE THE CRANE.

The individual crane's load chart, operating instructions and other instructional plates must be read and understood prior to operating the crane.

Load chart

Main boom



13,7 m - 64,0 m (44.9 ft - 210 ft)



7,8 m (25.6 ft)



360°



30.5 t (67,200 lb)



ft	44.9	61.7	78.4	94.8	111.3	127.5	144.2	160.8	177.3	193.8	210.0	ft
10.0	310.0	224.0	209.0									10.0
15.0	272.0	224.0	209.0	152.0								15.0
20.0	216.0	215.0	196.0	132.0	132.0	101.0						20.0
25.0	171.0	165.0	150.0	115.0	123.0	97.0	75.0					25.0
30.0	128.0	128.0	119.0	102.0	107.0	91.0	74.0	57.0	44.0			30.0
35.0	97.0	100.0	96.0	91.0	87.0	84.0	70.0	56.0	44.0	34.8		35.0
40.0		82.0	79.0	77.0	74.0	71.0	64.0	54.0	44.0	34.8	28.2	40.0
45.0		67.0	69.0	65.0	65.0	61.0	56.0	51.0	43.0	34.8	28.2	45.0
50.0		56.0	58.0	57.0	56.0	52.0	48.0	47.0	41.6	34.8	28.2	50.0
55.0			49.0	52.0	49.0	45.0	43.6	40.6	39.8	34.8	28.2	55.0
60.0			42.4	46.0	43.4	39.8	40.8	35.4	35.0	33.8	28.2	60.0
65.0			39.4	40.0	38.6	35.4	36.2	31.2	31.0	31.0	28.2	65.0
70.0				35.2	34.2	33.6	32.4	29.2	29.0	28.4	28.0	70.0
75.0				31.2	30.2	31.8	29.0	27.6	27.4	26.8	25.0	75.0
80.0				27.8	27.0	28.8	26.2	26.2	25.8	24.6	22.4	80.0
85.0				25.0	24.8	25.8	23.6	23.6	23.4	22.2	20.2	85.0
90.0					23.2	23.2	21.4	21.6	21.2	20.0	18.2	90.0
95.0					22.0	21.0	20.2	19.8	19.2	18.2	16.4	95.0
100.0					20.0	19.0	19.2	18.8	18.0	16.6	14.8	100.0
105.0						17.2	18.0	17.8	16.6	15.0	13.2	105.0
110.0						15.8	16.4	16.4	15.2	13.6	12.0	110.0
115.0						15.2	14.8	14.8	13.8	12.4	10.6	115.0
120.0							13.8	13.6	12.6	11.2	9.6	120.0
125.0							12.8	12.4	11.4	10.2	8.6	125.0
130.0							11.8	11.2	10.2	9.2	7.6	130.0
135.0							6.4	10.2	9.2	8.2	6.6	135.0
140.0								9.2	8.2	7.2	5.8	140.0
145.0								8.4	7.4	6.4	5.0	145.0
150.0								7.6	6.6	5.6	4.2	150.0
155.0									5.8	4.8	3.4	155.0
160.0									5.2	4.0	2.8	160.0
165.0									4.6	3.4	2.2	165.0
170.0										2.8		170.0
175.0										2.2		175.0

THIS CHART IS ONLY A GUIDE AND SHOULD NOT BE USED TO OPERATE THE CRANE.

The individual crane's load chart, operating instructions and other instructional plates must be read and understood prior to operating the crane.

Load chart

Main boom



13,7 m - 64,0 m (44.9 ft - 210 ft)



7,8 m (25.6 ft)



360°



26 t (57,300 lb)



ft	44.9	61.7	78.4	94.8	111.3	127.5	144.2	160.8	177.3	193.8	210.0	ft
10.0	310.0	224.0	209.0									10.0
15.0	270.0	224.0	209.0	173.0								15.0
20.0	214.0	210.0	191.0	163.0	132.0	101.0						20.0
25.0	164.0	155.0	138.0	131.0	123.0	97.0	75.0					25.0
30.0	116.0	118.0	109.0	102.0	97.0	91.0	74.0	57.0	44.0			30.0
35.0	88.0	91.0	88.0	85.0	80.0	77.0	70.0	56.0	44.0	34.8		35.0
40.0		74.0	74.0	70.0	70.0	64.0	60.0	54.0	44.0	34.8	28.2	40.0
45.0		61.0	62.0	61.0	59.0	54.0	50.0	48.0	43.0	34.8	28.2	45.0
50.0		52.0	52.0	54.0	51.0	47.0	47.0	41.4	40.8	34.8	28.2	50.0
55.0			45.0	47.0	44.0	40.4	41.2	35.8	35.4	34.8	28.2	55.0
60.0			40.6	41.0	38.8	38.0	36.2	32.8	32.8	31.6	28.2	60.0
65.0			35.4	35.8	34.2	35.0	32.0	30.8	30.8	29.8	27.6	65.0
70.0				31.4	30.4	31.4	28.6	28.6	28.0	26.6	24.4	70.0
75.0				27.6	27.6	28.2	25.6	25.6	25.4	23.8	21.8	75.0
80.0				24.6	26.0	25.4	24.0	23.8	23.2	21.4	19.4	80.0
85.0				21.8	23.8	22.8	22.6	22.2	21.0	19.2	17.4	85.0
90.0					21.4	20.4	21.0	20.4	19.0	17.2	15.4	90.0
95.0					19.2	18.2	19.0	18.6	17.2	15.6	13.8	95.0
100.0					17.4	17.2	17.2	17.0	15.6	14.0	12.2	100.0
105.0						16.4	16.0	15.6	14.2	12.6	10.8	105.0
110.0						15.0	14.6	14.0	12.8	11.4	9.6	110.0
115.0						13.6	13.2	12.8	11.6	10.2	8.4	115.0
120.0							12.0	11.4	10.6	9.0	7.4	120.0
125.0							10.8	10.4	9.4	8.0	6.4	125.0
130.0							9.8	9.2	8.4	7.2	5.6	130.0
135.0							6.0	8.4	7.4	6.4	4.8	135.0
140.0								7.4	6.6	5.4	4.0	140.0
145.0								6.6	5.8	4.6	3.4	145.0
150.0								6	5.0	3.8	2.6	150.0
155.0									4.2	3.2		155.0
160.0									3.6	2.6		160.0
165.0									3.0			165.0

THIS CHART IS ONLY A GUIDE AND SHOULD NOT BE USED TO OPERATE THE CRANE.

The individual crane's load chart, operating instructions and other instructional plates must be read and understood prior to operating the crane.

Load chart

Main boom



13,7 m - 64,0 m (44.9 ft - 210 ft)



7,8 m (25.6 ft)



360°



21 t (46,200 lb)



ft	44.9	61.7	78.4	94.8	111.3	127.5	144.2	160.8	177.3	193.8	210.0	ft
10.0	310.0	224.0	209.0									10.0
15.0	268.0	224.0	209.0	173.0								15.0
20.0	209.0	195.0	173.0	161.0	132.0	101.0						20.0
25.0	147.0	141.0	129.0	117.0	113.0	97.0	75.0					25.0
30.0	103.0	105.0	99.0	94.0	88.0	85.0	74.0	57.0	44.0			30.0
35.0	78.0	83.0	81.0	75.0	75.0	69.0	63.0	56.0	44.0	34.8		35.0
40.0		66.0	66.0	66.0	62.0	57.0	54.0	50.0	44.0	34.8	28.2	40.0
45.0		55.0	55.0	56.0	52.0	48.0	48.0	42.0	41.2	34.8	28.2	45.0
50.0		46.0	49.0	48.0	45.0	43.4	41.4	37.4	37.0	34.8	28.2	50.0
55.0			41.4	41.4	38.6	39.2	36.0	35.0	34.8	33.0	28.2	55.0
60.0			35.6	36.0	33.6	34.4	31.4	31.2	31.0	29.0	26.8	60.0
65.0			30.8	31.2	31.0	30.4	28.6	29.0	27.8	25.6	23.4	65.0
70.0				27.2	29.2	27.0	27.0	26.4	24.6	22.6	20.6	70.0
75.0				23.8	25.8	24.2	24.2	23.6	22.0	20.2	18.2	75.0
80.0				22.2	23.0	21.6	21.8	21.2	19.6	18.0	16.0	80.0
85.0				20.6	20.4	20.2	20.2	19.2	17.6	16.0	14.0	85.0
90.0					18.2	19.0	18.4	17.4	15.8	14.2	12.4	90.0
95.0					16.4	17.2	16.6	15.6	14.2	12.6	10.8	95.0
100.0					15.0	15.4	15.0	14.2	12.8	11.2	9.4	100.0
105.0						13.8	13.4	12.8	11.4	10.0	8.2	105.0
110.0						12.4	12.0	11.6	10.2	8.8	7.2	110.0
115.0						11.2	10.8	10.2	9.2	7.8	6.0	115.0
120.0							9.6	9.2	8.2	6.8	5.2	120.0
125.0							8.6	8.2	7.2	5.8	4.2	125.0
130.0							7.6	7.2	6.2	5.0	3.4	130.0
135.0							4.2	6.2	5.4	4.2	2.8	135.0
140.0								5.4	4.6	3.4	2.0	140.0
145.0								4.8	3.8	2.8		145.0
150.0								4.2	3.2	2.0		150.0
155.0									2.6			155.0

THIS CHART IS ONLY A GUIDE AND SHOULD NOT BE USED TO OPERATE THE CRANE.

The individual crane's load chart, operating instructions and other instructional plates must be read and understood prior to operating the crane.

Load chart

Main boom



13,7 m - 64,0 m (44.9 ft - 210 ft)



7,8 m (25.6 ft)



360°



16.5 t (36,300 lb)



ft	44.9	61.7	78.4	94.8	111.3	127.5	144.2	160.8	177.3	193.8	210.0	ft
10.0	310.0	224.0	224.0									10.0
15.0	266.0	224.0	224.0	173.0								15.0
20.0	200.0	181.0	173.0	146.0	132.0	101.0						20.0
25.0	132.0	127.0	119.0	111.0	100.0	97.0	75.0					25.0
30.0	92.0	96.0	91.0	84.0	82.0	75.0	69.0	57.0	44.0			30.0
35.0	69.0	74.0	72.0	71.0	66.0	61.0	58.0	53.0	44.0	34.8		35.0
40.0		60.0	58.0	59.0	55.0	51.0	50.0	43.4	42.4	34.8	28.2	40.0
45.0		49.0	51.0	49.0	46.0	46.0	42.2	40.2	38.8	34.8	28.2	45.0
50.0		40.2	43.0	41.8	39.0	39.6	36.2	36.0	35.4	33.0	28.2	50.0
55.0			36.4	36.2	35.6	34.2	32.8	33.0	30.8	28.6	26.2	55.0
60.0				31.0	31.4	32.2	30.0	29.8	29.0	27.0	25.0	60.0
65.0				26.6	27.0	28.4	26.2	27.0	25.6	23.8	21.8	65.0
70.0					25.4	25.2	24.4	24.0	22.8	21.0	19.2	70.0
75.0					22.4	22.4	22.6	21.4	20.2	18.6	16.8	75.0
80.0					19.8	19.6	20.2	19.2	18.0	16.6	14.8	80.0
85.0						17.4	17.6	17.2	16.2	14.6	13.0	85.0
90.0							16.0	16.2	15.4	14.4	13.0	90.0
95.0							14.2	14.4	13.8	12.8	11.6	95.0
100.0							12.8	12.8	12.4	11.6	10.2	100.0
105.0								11.4	11.0	10.4	9.0	105.0
110.0								10.2	9.8	9.2	8.0	110.0
115.0								9.0	8.6	8.2	7.0	115.0
120.0									7.6	7.0	6.0	120.0
125.0									6.6	6.2	5.2	125.0
130.0									5.8	5.2	4.4	130.0
135.0									4.2	4.4	3.6	135.0
140.0										3.8	2.8	140.0
145.0										3	2.2	145.0
150.0											2.4	150.0

THIS CHART IS ONLY A GUIDE AND SHOULD NOT BE USED TO OPERATE THE CRANE.

The individual crane's load chart, operating instructions and other instructional plates must be read and understood prior to operating the crane.

Load chart

Main boom



13,7 m - 64,0 m (44.9 ft - 210 ft)



7,8 m (25.6 ft)



360°



7 t (15,400 lb)



ft	44.9	61.7	78.4	94.8	111.3	127.5	144.2	160.8	177.3	193.8	210.0	ft
10.0	310.0	224.0	209.0									10.0
15.0	256.0	224.0	202.0	173.0								15.0
20.0	158.0	141.0	128.0	117.0	107.0	99.0						20.0
25.0	99.0	95.0	91.0	88.0	81.0	72.0	67.0					25.0
30.0	67.0	73.0	71.0	67.0	61.0	60.0	55.0	49.0	44.0			30.0
35.0	49.0	57.0	56.0	53.0	50.0	48.0	45.0	43.6	39.4	34.8		35.0
40.0		43.8	45.0	42.8	43.0	39.6	39.8	37.4	34.8	31.8	28.2	40.0
45.0		34.8	37.4	36.8	36.0	35.4	33.4	31.6	29.2	26.6	24.0	45.0
50.0		28.0	31.4	32.0	30.4	30.2	28.4	26.8	24.8	22.4	20.0	50.0
55.0			26.2	27.4	26.8	26.0	24.4	23.0	21.2	19.0	16.8	55.0
60.0			21.8	23.6	23.2	22.4	21.2	19.8	18.0	16.2	14.0	60.0
65.0			18.4	20.4	20.2	19.6	18.4	17.2	15.6	13.6	11.6	65.0
70.0			5.4	17.4	17.6	17.0	16.0	14.8	13.4	11.6	9.6	70.0
75.0				15.0	15.4	15.0	13.8	12.8	11.4	9.8	8.0	75.0
80.0				12.8	13.4	13.2	12.0	11.2	9.8	8.2	6.4	80.0
85.0				11.0	11.6	11.4	10.6	9.6	8.2	6.8	5.0	85.0
90.0					10.0	10.0	9.2	8.2	7.0	5.4	3.8	90.0
95.0					8.6	8.6	8.0	7.0	5.8	4.4	2.6	95.0
100.0					7.2	7.4	6.8	6.0	4.8	3.4		100.0
105.0						6.2	5.8	5.0	3.8	2.4		105.0
110.0						5.4	4.8	4.2	3.0			110.0
115.0						4.4	4.0	3.4	2.2			115.0
120.0							3.0	2.6				120.0
125.0							2.4					125.0

THIS CHART IS ONLY A GUIDE AND SHOULD NOT BE USED TO OPERATE THE CRANE.
 The individual crane's load chart, operating instructions and other instructional plates must be read and understood prior to operating the crane.

Load chart

Main boom



13,7 m - 64,0 m (44.9 ft - 210 ft)



7,8 m (25.6 ft)



360°



0 t (0 lb)



ft	44.9	61.7	78.4	94.8	111.3	127.5	144.2	160.8	177.3	193.8	210.0	ft
10.0	310.0	224.0	209.0									10.0
15.0	242.0	197.0	170.0	152.0								15.0
20.0	122.0	113.0	103.0	98.0	87.0	77.0						20.0
25.0	76.0	78.0	74.0	69.0	62.0	61.0	54.0					25.0
30.0	50.0	56.0	55.0	51.0	51.0	47.0	46.0	42.4	38.2			30.0
35.0	35.4	42.2	43.0	42.6	40.0	39.0	36.6	34.2	31.2	28.2		35.0
40.0		32.4	34.2	34.4	33.4	31.8	29.8	27.8	25.4	22.8	20.2	40.0
45.0		25.0	27.6	28.2	27.6	26.4	24.6	23.0	21.0	18.6	16.2	45.0
50.0		19.4	22.6	23.4	23.0	22.0	20.6	19.2	17.2	15.2	13.0	50.0
55.0			18.6	19.6	19.4	18.6	17.2	16.0	14.2	12.4	10.2	55.0
60.0			15.0	16.6	16.4	15.8	14.6	13.4	11.8	10.0	8.0	60.0
65.0			12.2	14.0	13.8	13.4	12.2	11.2	9.8	8.0	6.2	65.0
70.0				11.8	11.8	11.4	10.4	9.4	8.0	6.2	4.4	70.0
75.0				9.6	10.0	9.6	8.6	7.8	6.4	4.8	3.0	75.0
80.0				8.0	8.4	8.0	7.2	6.4	5.0	3.4		80.0
85.0				6.4	7.0	6.8	5.8	5.0	3.8	2.4		85.0
90.0					5.6	5.6	4.8	4.0	2.8			90.0
95.0					4.4	4.6	3.8	3.0				95.0
100.0					3.4	3.6	2.8	2.2				100.0
105.0						2.6	2.0					105.0

THIS CHART IS ONLY A GUIDE AND SHOULD NOT BE USED TO OPERATE THE CRANE.

The individual crane's load chart, operating instructions and other instructional plates must be read and understood prior to operating the crane.

Working range

Swingaway with boom extension (hydraulic luffing)



13,7 m - 64,0 m (44.9 ft - 210 ft)



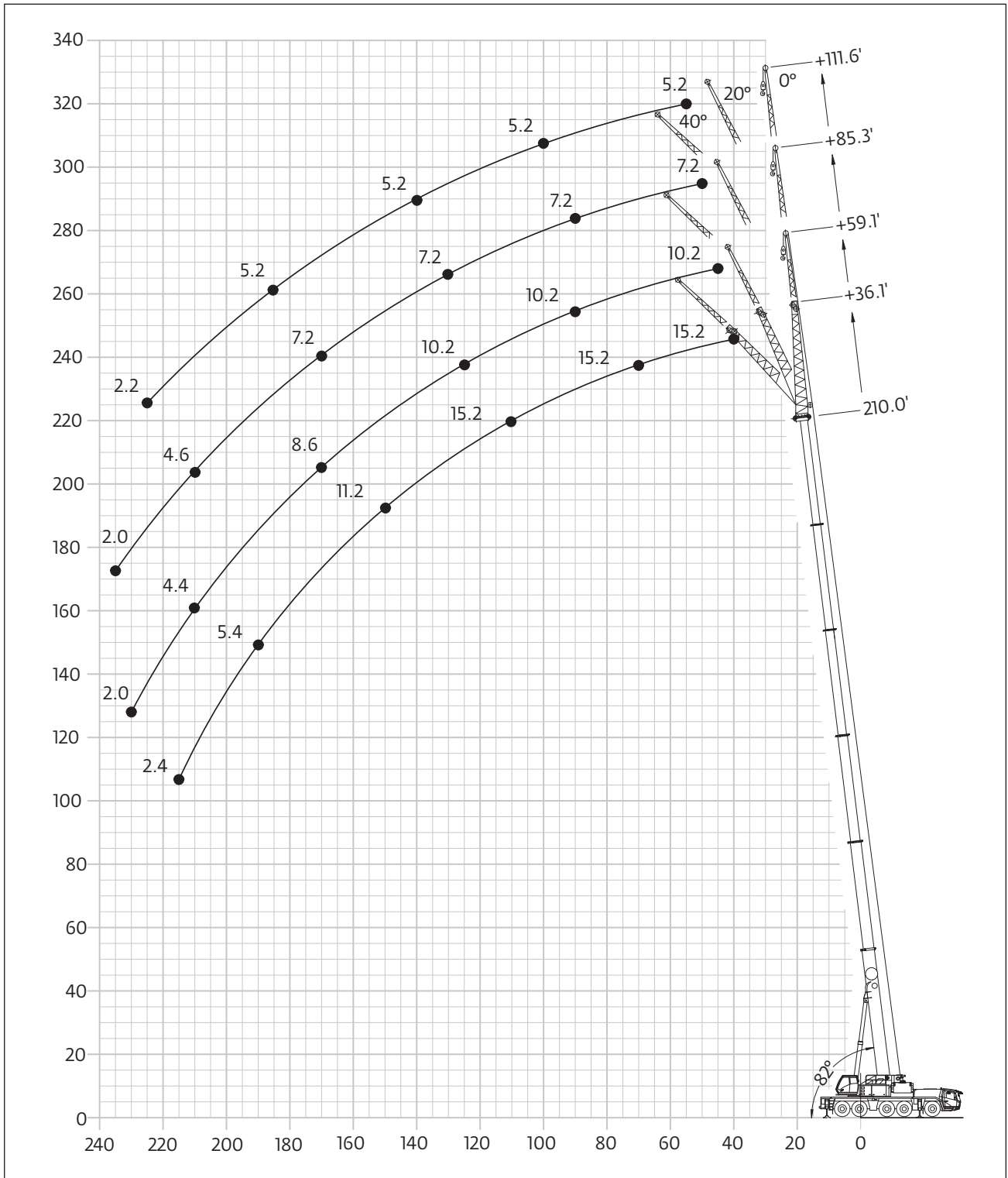
7,8 m (25.6 ft)



360°



50 t (110,200 lb)



THIS CHART IS ONLY A GUIDE AND SHOULD NOT BE USED TO OPERATE THE CRANE.

The individual crane's load chart, operating instructions and other instructional plates must be read and understood prior to operating the crane.

Load charts

Swingaway (hydraulic luffing)



38,9 m - 64,0 m
(127.5 - 210 ft)



11 m
(36.1 ft)



7,8 m
(25.6 ft)



360°



50 t (110,200 lb)



ft ft	127.5 36.1			177.3 36.1			193.8 36.1			210.0 36.1			ft ft
	0°	* 0° - 20°	* 20° - 40°	0°	* 0° - 20°	* 20° - 40°	0°	* 0° - 20°	* 20° - 40°	0°	* 0° - 20°	* 20° - 40°	
25.0	37.4												25.0
30.0	36.4			24.2									30.0
35.0	35.2	23.4		24.2			19.4						35.0
40.0	34.0	22.4	18.6	24.2			19.4			15.2			40.0
45.0	32.8	21.4	18.0	24.2	23.2		19.4			15.2			45.0
50.0	31.6	20.6	17.6	24.2	22.8	18.4	19.4	19.4		15.2	15.2		50.0
55.0	30.4	19.8	17.2	24.2	22.0	18.0	19.4	19.4	18.0	15.2	15.2		55.0
60.0	29.4	19.0	17.0	24.2	21.4	17.8	19.4	19.4	17.8	15.2	15.2	15.2	60.0
65.0	28.2	18.4	16.6	24.2	20.8	17.4	19.4	19.4	17.6	15.2	15.2	15.2	65.0
70.0	27.2	17.8	16.4	24.2	20.2	17.2	19.4	19.4	17.4	15.2	15.2	15.2	70.0
75.0	26.0	17.4	16.2	24.2	19.6	17.0	19.4	19.4	17.2	15.2	15.2	15.2	75.0
80.0	24.8	16.8	15.8	24.0	19.0	16.6	19.4	19.2	17.0	15.2	15.2	15.2	80.0
85.0	23.6	16.4	15.6	23.2	18.6	16.4	19.4	19.2	16.6	15.2	15.2	15.2	85.0
90.0	22.4	16.0	15.6	22.4	18.2	16.2	19.4	18.6	16.4	15.2	15.2	15.2	90.0
95.0	21.4	15.6	15.4	21.4	17.6	16.0	19.4	18.2	16.2	15.2	15.2	15.2	95.0
100.0	20.4	15.2	15.2	20.4	17.2	16.0	18.6	17.8	16.2	15.2	15.2	15.2	100.0
105.0	19.8	14.8	15.0	19.4	17.0	15.8	17.8	17.4	16.0	15.2	15.2	15.2	105.0
110.0	19.0	14.6	14.8	18.6	16.6	15.6	17.0	17.0	15.8	15.2	15.0	14.8	110.0
115.0	18.4	14.2	14.4	17.6	16.2	15.4	16.2	16.2	15.6	15.0	14.4	14.2	115.0
120.0	17.8	14.0	14.2	16.6	16.0	15.4	15.4	15.4	15.6	14.4	14.0	13.8	120.0
125.0	17.2	13.6		15.8	15.6	15.2	14.6	14.6	14.8	13.8	13.6	13.4	125.0
130.0	16.8	13.2		14.6	14.8	15.2	14.0	14.0	14.2	13.2	13.2	13.0	130.0
135.0	15.8	12.8		13.4	13.6	14.4	13.4	13.4	13.4	12.6	12.6	12.6	135.0
140.0	14.6	12.4		12.2	12.6	13.4	12.8	12.8	13.0	12.0	12.0	12.2	140.0
145.0	13.6	12.0		11.2	11.4	12.0	11.8	11.8	12.4	11.6	11.6	11.8	145.0
150.0	12.4	11.8		10.0	10.2	11.0	10.8	10.8	11.4	11.0	11.0	11.2	150.0
155.0				9.0	9.2	9.8	9.8	9.8	10.4	10.4	10.4	10.8	155.0
160.0				8.2	8.4	9.0	8.8	8.8	9.4	9.6	9.6	10.2	160.0
165.0				7.2	7.4		8.0	8.0	8.6	8.6	8.6	9.2	165.0
170.0				6.4	6.6		7.2	7.2	7.6	7.8	7.8	8.4	170.0
175.0				5.8	6.0		6.4	6.4	6.8	7.0	7.0	7.6	175.0
180.0				5.0	5.2		5.6	5.6		6.4	6.4	6.8	180.0
185.0				4.4	4.6		5.0	5.0		5.6	5.6	6.2	185.0
190.0				3.8	3.8		4.4	4.4		5.0	5.0	5.4	190.0
195.0				3.2	3.4		3.8	3.8		4.4	4.4		195.0
200.0				2.6	2.8		3.2	3.2		3.8	3.8		200.0
205.0							2.6	2.6		3.4	3.4		205.0
210.0							2.2	2.2		2.8	2.8		210.0
215.0										2.4	2.4		215.0

* Luffing under load

THIS CHART IS ONLY A GUIDE AND SHOULD NOT BE USED TO OPERATE THE CRANE.

The individual crane's load chart, operating instructions and other instructional plates must be read and understood prior to operating the crane.

Load charts

Swingaway (hydraulic luffing)



38,9 m - 64,0 m
(127.5 - 210 ft)



18 m
(59.1 ft)



7,8 m
(25.6 ft)



360°



50 t (110,200 lb)



ft ft	127.5 59.1			177.3 59.1			193.8 59.1			210.0 59.1			ft ft
	0°	* 0° - 20°	* 20° - 40°	0°	* 0° - 20°	* 20° - 40°	0°	* 0° - 20°	* 20° - 40°	0°	* 0° - 20°	* 20° - 40°	
30.0	15.6												30.0
35.0	15.6												35.0
40.0	15.6			13.6			11.6						40.0
45.0	15.6			13.4			11.6			10.2			45.0
50.0	15.2	12.8		13.2			11.6			10.2			50.0
55.0	15.0	12.6		13.2	12.0		11.6			10.2			55.0
60.0	14.6	12.2	10.2	13.0	11.8		11.6	11.0		10.2	10.2		60.0
65.0	14.4	11.8	9.8	13.0	11.6		11.6	11.0		10.2	10.2		65.0
70.0	14.0	11.4	9.6	12.8	11.4		11.6	11.0		10.2	10.2		70.0
75.0	13.8	10.8	9.4	12.6	11.4	9.8	11.6	10.8	10.0	10.2	10.0		75.0
80.0	13.4	10.6	9.2	12.6	11.2	9.6	11.6	10.8	9.8	10.2	10.0	9.6	80.0
85.0	13.0	10.2	9.0	12.4	11.0	9.6	11.6	10.6	9.6	10.2	10.0	9.6	85.0
90.0	12.8	9.8	9.0	12.4	11.0	9.4	11.4	10.6	9.4	10.2	10.0	9.6	90.0
95.0	12.6	9.6	8.8	12.2	10.8	9.2	11.4	10.4	9.4	10.2	10.0	9.4	95.0
100.0	12.2	9.2	8.6	12.0	10.4	9.0	11.2	10.4	9.2	10.2	9.8	9.4	100.0
105.0	12.0	9.0	8.4	12.0	10.2	9.0	11.2	10.2	9.0	10.2	9.8	9.2	105.0
110.0	11.8	8.8	8.4	11.8	9.8	8.8	11.2	10.2	9.0	10.2	9.8	9.0	110.0
115.0	11.4	8.6	8.2	11.6	9.6	8.8	11.0	10.0	8.8	10.2	9.8	9.0	115.0
120.0	11.2	8.4	8.2	11.4	9.4	8.6	11.0	9.8	8.8	10.2	9.6	8.8	120.0
125.0	11.0	8.2	8.2	11.2	9.2	8.4	11.0	9.6	8.6	10.2	9.6	8.8	125.0
130.0	10.8	8.0	8.0	11.2	9.0	8.4	10.8	9.4	8.6	10.0	9.6	8.6	130.0
135.0	10.6	7.8	7.8	11.0	8.8	8.4	10.8	9.2	8.4	10.0	9.4	8.6	135.0
140.0	10.2	7.6	7.6	10.8	8.6	8.2	10.6	9.0	8.4	10.0	9.2	8.4	140.0
145.0	10.0	7.4	7.6	10.8	8.4	8.2	10.4	8.8	8.2	10.0	9.0	8.4	145.0
150.0	9.8	7.2	7.4	10.6	8.4	8.2	10.4	8.6	8.2	9.8	8.8	8.4	150.0
155.0	9.6	6.8		10.4	8.2	8.0	10.2	8.4	8.2	9.6	8.8	8.2	155.0
160.0	9.2	6.6		9.6	8.0	8.0	9.8	8.2	8.0	9.4	8.6	8.2	160.0
165.0	9.0	6.6		8.8	7.8	7.8	9.0	8.2	8.0	9.2	8.4	8.2	165.0
170.0	9.0	6.4		8.0	7.8	7.8	8.2	8.0	8.0	8.6	8.2	8.0	170.0
175.0	8.8	6.2		7.2	7.2	7.6	7.6	7.6	8.0	8.0	8.0	8.0	175.0
180.0				6.4	6.4	7.4	6.8	6.8	7.8	7.4	7.4	8.0	180.0
185.0				5.8	5.8	6.6	6.0	6.0	7.0	6.6	6.6	7.6	185.0
190.0				5.2	5.2	5.8	5.4	5.4	6.2	6.0	6.0	6.8	190.0
195.0				4.6	4.6		4.8	4.8	5.6	5.4	5.4	6.2	195.0
200.0				4.0	4.0		4.2	4.2	5.0	4.8	4.8	5.6	200.0
205.0				3.4	3.4		3.8	3.8		4.2	4.2	5.0	205.0
210.0				3.0	3.0		3.2	3.2		3.8	3.8	4.4	210.0
215.0				2.4	2.4		2.8	2.8		3.2	3.2	3.8	215.0
220.0				2.0	2.0		2.2	2.2		2.8	2.8		220.0
225.0										2.4	2.4		225.0
230.0										2.0	2.0		230.0

* Luffing under load

THIS CHART IS ONLY A GUIDE AND SHOULD NOT BE USED TO OPERATE THE CRANE.

The individual crane's load chart, operating instructions and other instructional plates must be read and understood prior to operating the crane.

Load charts

Swingaway (hydraulic luffing)



38,9 m - 64,0 m
(127.5 - 210 ft)



11 m
(36.1 ft)



7,8 m
(25.6 ft)



360°



40 t (88,100 lb)



ft ft	127.5 36.1			177.3 36.1			193.8 36.1			210.0 36.1			ft ft
	0°	* 0° - 20°	* 20° - 40°	0°	* 0° - 20°	* 20° - 40°	0°	* 0° - 20°	* 20° - 40°	0°	* 0° - 20°	* 20° - 40°	
25.0	37.4												25.0
30.0	36.4			24.2									30.0
35.0	35.2	23.4		24.2			19.4						35.0
40.0	34.0	22.4	18.6	24.2			19.4			15.2			40.0
45.0	32.8	21.4	18.0	24.2	23.2		19.4			15.2			45.0
50.0	31.6	20.6	17.6	24.2	22.8	18.4	19.4	19.4		15.2	15.2		50.0
55.0	30.4	19.8	17.2	24.2	22.0	18.0	19.4	19.4	18.0	15.2	15.2		55.0
60.0	29.4	19.0	17.0	24.2	21.4	17.8	19.4	19.4	17.8	15.2	15.2	15.2	60.0
65.0	28.2	18.4	16.6	24.2	20.8	17.4	19.4	19.4	17.6	15.2	15.2	15.2	65.0
70.0	27.2	17.8	16.4	24.2	20.2	17.2	19.4	19.4	17.4	15.2	15.2	15.2	70.0
75.0	26.0	17.4	16.2	24.2	19.6	17.0	19.4	19.4	17.2	15.2	15.2	15.2	75.0
80.0	24.8	16.8	15.8	24.0	19.0	16.6	19.4	19.2	17.0	15.2	15.2	15.2	80.0
85.0	23.6	16.4	15.6	23.2	18.6	16.4	19.4	19.2	16.6	15.2	15.2	15.2	85.0
90.0	22.4	16.0	15.6	22.4	18.2	16.2	19.4	18.6	16.4	15.2	15.2	15.2	90.0
95.0	21.4	15.6	15.4	20.4	17.6	16.0	19.4	18.2	16.2	15.2	15.2	15.2	95.0
100.0	20.4	15.2	15.2	18.6	17.2	16.0	18.6	17.8	16.2	15.2	15.2	15.2	100.0
105.0	19.8	14.8	15.0	16.8	17.0	15.8	17.2	17.2	16.0	15.2	15.2	15.2	105.0
110.0	19.0	14.6	14.8	15.4	15.6	15.6	15.8	15.8	15.8	15.2	15.0	14.8	110.0
115.0	17.2	14.2	14.4	13.8	14.2	15.2	14.2	14.2	15.4	14.6	14.4	14.2	115.0
120.0	15.6	14.0	14.2	12.6	12.8	13.8	13.0	13.0	14.0	13.4	13.4	13.8	120.0
125.0		13.6		11.4	11.6	12.6	11.8	11.8	12.8	12.2	12.2	13.2	125.0
130.0		13.0		10.2	10.6	11.4	10.8	10.8	11.6	11.2	11.2	12.0	130.0
135.0		11.8		9.2	9.6	10.4	9.8	9.8	10.6	10.2	10.2	11.0	135.0
140.0		10.8		8.4	8.6	9.4	8.8	8.8	9.6	9.2	9.2	10.0	140.0
145.0		9.8		7.4	7.6	8.4	7.8	7.8	8.6	8.4	8.4	9.0	145.0
150.0		8.8		6.4	6.6	7.4	7.0	7.0	7.8	7.6	7.6	8.2	150.0
155.0				5.6	5.8	6.4	6.2	6.2	7.0	6.8	6.8	7.4	155.0
160.0				4.8	5.0	5.6	5.4	5.4	6.0	6.0	6.0	6.6	160.0
165.0				4.0	4.2		4.6	4.6	5.2	5.4	5.4	6.0	165.0
170.0				3.4	3.4		4.0	4.0	4.4	4.6	4.6	5.2	170.0
175.0				2.6	2.8		3.2	3.2	3.8	4.0	4.0	4.6	175.0
180.0				2.0	2.2		2.6	2.6		3.4	3.4	3.8	180.0
185.0							2.0	2.0		2.8	2.8	3.2	185.0
190.0										2.2	2.2	2.6	190.0

* Luffing under load

THIS CHART IS ONLY A GUIDE AND SHOULD NOT BE USED TO OPERATE THE CRANE.

The individual crane's load chart, operating instructions and other instructional plates must be read and understood prior to operating the crane.

Load charts

Swingaway (hydraulic luffing)



38,9 m - 64,0 m
(127.5 - 210 ft)



18 m
(59.1 ft)



7,8 m
(25.6 ft)



360°



40 t (88,100 lb)



ft ft	127.5 59.1			177.3 59.1			193.8 59.1			210.0 59.1			ft ft
	0°	* 0° - 20°	* 20° - 40°	0°	* 0° - 20°	* 20° - 40°	0°	* 0° - 20°	* 20° - 40°	0°	* 0° - 20°	* 20° - 40°	
30.0	15.6												30.0
35.0	15.6												35.0
40.0	15.6			13.6			11.6						40.0
45.0	15.6			13.4			11.6			10.2			45.0
50.0	15.2	12.8		13.2			11.6			10.2			50.0
55.0	15.0	12.6		13.2	12.0		11.6			10.2			55.0
60.0	14.6	12.2	10.2	13.0	11.8		11.6	11.0		10.2	10.2		60.0
65.0	14.4	11.8	9.8	13.0	11.6		11.6	11.0		10.2	10.2		65.0
70.0	14.0	11.4	9.6	12.8	11.4		11.6	11.0		10.2	10.2		70.0
75.0	13.8	10.8	9.4	12.6	11.4	9.8	11.6	10.8	10.0	10.2	10.0		75.0
80.0	13.4	10.6	9.2	12.6	11.2	9.6	11.6	10.8	9.8	10.2	10.0	9.6	80.0
85.0	13.0	10.2	9.0	12.4	11.0	9.6	11.6	10.6	9.6	10.2	10.0	9.6	85.0
90.0	12.8	9.8	9.0	12.4	11.0	9.4	11.4	10.6	9.4	10.2	10.0	9.6	90.0
95.0	12.6	9.6	8.8	12.2	10.8	9.2	11.4	10.4	9.4	10.2	10.0	9.4	95.0
100.0	12.2	9.2	8.6	12.0	10.4	9.0	11.2	10.4	9.2	10.2	9.8	9.4	100.0
105.0	12.0	9.0	8.4	12.0	10.2	9.0	11.2	10.2	9.0	10.2	9.8	9.2	105.0
110.0	11.8	8.8	8.4	11.8	9.8	8.8	11.2	10.2	9.0	10.2	9.8	9.0	110.0
115.0	11.4	8.6	8.2	11.6	9.6	8.8	11.0	10.0	8.8	10.2	9.8	9.0	115.0
120.0	11.2	8.4	8.2	11.4	9.4	8.6	11.0	9.8	8.8	10.2	9.6	8.8	120.0
125.0	11.0	8.2	8.2	11.2	9.2	8.4	11.0	9.6	8.6	10.2	9.6	8.8	125.0
130.0	10.8	8.0	8.0	11.2	9.0	8.4	10.8	9.4	8.6	10.0	9.6	8.6	130.0
135.0	10.6	7.8	7.8	10.4	8.8	8.4	10.4	9.2	8.4	10.0	9.4	8.6	135.0
140.0	10.2	7.6	7.6	9.6	8.6	8.2	9.6	9.0	8.4	9.8	9.2	8.4	140.0
145.0	10.0	7.4	7.6	8.6	8.4	8.2	8.6	8.6	8.2	9.0	9.0	8.4	145.0
150.0	9.8	7.2	7.4	7.8	7.8	8.2	7.8	7.8	8.2	8.2	8.2	8.4	150.0
155.0	9.6	6.8		7.0	7.0	8.0	7.2	7.2	8.2	7.4	7.4	8.2	155.0
160.0	8.8	6.6		6.2	6.2	7.4	6.4	6.4	7.6	6.8	6.8	8.0	160.0
165.0	8.0	6.6		5.6	5.6	6.6	5.8	5.8	6.8	6.0	6.0	7.2	165.0
170.0	7.4	6.4		4.8	4.8	5.8	5.0	5.0	6.2	5.4	5.4	6.4	170.0
175.0	6.8	6.2		4.2	4.2	5.0	4.4	4.4	5.4	4.8	4.8	5.8	175.0
180.0				3.6	3.6	4.4	3.8	3.8	4.8	4.4	4.4	5.2	180.0
185.0				3.0	3.0	3.6	3.2	3.2	4.0	3.8	3.8	4.6	185.0
190.0				2.4	2.4	3.0	2.6	2.6	3.4	3.2	3.2	4.0	190.0
195.0							2.2	2.2	2.8	2.6	2.6	3.4	195.0
200.0									2.2	2.2	2.2	2.8	200.0
205.0												2.4	205.0

* Luffing under load

THIS CHART IS ONLY A GUIDE AND SHOULD NOT BE USED TO OPERATE THE CRANE.
The individual crane's load chart, operating instructions and other instructional plates must be read and understood prior to operating the crane.

Load charts

Swingaway (hydraulic luffing)



38,9 m - 64,0 m
(127.5 - 210 ft)



11 m
(36.1 ft)



7,8 m
(25.6 ft)



360°



21 t (46,200 lb)



ft ft	127.5 36.1			177.3 36.1			193.8 36.1			210.0 36.1			ft ft
	0°	* 0° - 20°	* 20° - 40°	0°	* 0° - 20°	* 20° - 40°	0°	* 0° - 20°	* 20° - 40°	0°	* 0° - 20°	* 20° - 40°	
25.0	37.4												25.0
30.0	36.4			24.2									30.0
35.0	35.2	23.4		24.2			19.4						35.0
40.0	34.0	22.4	18.6	24.2			19.4			15.2			40.0
45.0	32.8	21.4	18.0	24.2	23.2		19.4			15.2			45.0
50.0	31.6	20.6	17.6	24.2	22.8	18.4	19.4	19.4		15.2	15.2		50.0
55.0	30.4	19.8	17.2	24.2	22.0	18.0	19.4	19.4	18.0	15.2	15.2		55.0
60.0	29.4	19.0	17.0	24.2	21.4	17.8	19.4	19.4	17.8	15.2	15.2	15.2	60.0
65.0	27.0	18.4	16.6	21.8	20.8	17.4	19.4	19.4	17.6	15.2	15.2	15.2	65.0
70.0	23.8	17.8	16.4	19.2	19.4	17.2	19.4	19.4	17.4	15.2	15.2	15.2	70.0
75.0	21.2	17.4	16.2	16.6	17.0	17.0	17.0	17.0	17.2	15.2	15.2	15.2	75.0
80.0	18.8	16.8	15.8	14.6	14.8	16.6	14.8	14.8	16.8	15.2	15.2	15.2	80.0
85.0	16.8	16.4	15.6	12.6	13.0	14.6	13.0	13.0	14.8	13.4	13.4	15.0	85.0
90.0	14.8	14.8	15.6	11.0	11.2	12.8	11.4	11.4	13.0	11.8	11.8	13.2	90.0
95.0	13.2	13.2	14.6	9.4	9.8	11.2	10.0	10.0	11.4	10.4	10.4	11.8	95.0
100.0	11.8	11.8	13.0	8.2	8.4	9.8	8.6	8.6	10.0	9.0	9.0	10.4	100.0
105.0	10.4	10.4	11.6	6.8	7.2	8.4	7.4	7.4	8.6	7.8	7.8	9.0	105.0
110.0	9.2	9.2	10.2	5.8	6.0	7.2	6.2	6.2	7.4	6.8	6.8	7.8	110.0
115.0	8.0	8.0	9.0	4.8	5.0	6.0	5.2	5.2	6.4	5.8	5.8	6.8	115.0
120.0	7.0	7.0	7.8	3.8	4.0	5.0	4.4	4.4	5.4	4.8	4.8	5.8	120.0
125.0	5.8	5.8		3.0	3.2	4.2	3.4	3.4	4.4	4.0	4.0	5.0	125.0
130.0	5.0	5.0		2.2	2.4	3.2	2.6	2.6	3.6	3.2	3.2	4.0	130.0
135.0	4.0	4.0				2.4	2.0	2.0	2.8	2.4	2.4	3.2	135.0
140.0	3.4	3.4							2.0			2.6	140.0
145.0	2.6	2.6										1.8	145.0
150.0	2.0	2.0											150.0

* Luffing under load

THIS CHART IS ONLY A GUIDE AND SHOULD NOT BE USED TO OPERATE THE CRANE.

The individual crane's load chart, operating instructions and other instructional plates must be read and understood prior to operating the crane.

Load charts

Swingaway (hydraulic luffing)



38,9 m - 64,0 m
(127.5 - 210 ft)



18 m
(59.1 ft)



7,8 m
(25.6 ft)



360°



21 t (46,200 lb)



ft ft	127.5 59.1			177.3 59.1			193.8 59.1			210.0 59.1			ft ft
	0°	* 0° - 20°	* 20° - 40°	0°	* 0° - 20°	* 20° - 40°	0°	* 0° - 20°	* 20° - 40°	0°	* 0° - 20°	* 20° - 40°	
30.0	15.6												30.0
35.0	15.6												35.0
40.0	15.6			13.6			11.6						40.0
45.0	15.6			13.4			11.6			10.2			45.0
50.0	15.2	12.8		13.2			11.6			10.2			50.0
55.0	15.0	12.6		13.2	12.0		11.6			10.2			55.0
60.0	14.6	12.2	10.2	13.0	11.8		11.6	11.0		10.2	10.2		60.0
65.0	14.4	11.8	9.8	13.0	11.6		11.6	11.0		10.2	10.2		65.0
70.0	14.0	11.4	9.6	12.8	11.4		11.6	11.0		10.2	10.2		70.0
75.0	13.8	10.8	9.4	12.6	11.4	9.8	11.6	10.8	10.0	10.2	10.0		75.0
80.0	13.4	10.6	9.2	12.6	11.2	9.6	11.6	10.8	9.8	10.2	10.0	9.6	80.0
85.0	13.0	10.2	9.0	12.4	11.0	9.6	11.6	10.6	9.6	10.2	10.0	9.6	85.0
90.0	12.8	9.8	9.0	12.2	11.0	9.4	11.4	10.6	9.4	10.2	10.0	9.6	90.0
95.0	12.6	9.6	8.8	10.6	10.6	9.2	10.6	10.4	9.4	10.2	10.0	9.4	95.0
100.0	12.2	9.2	8.6	9.4	9.4	9.0	9.4	9.4	9.2	9.6	9.6	9.4	100.0
105.0	11.8	9.0	8.4	8.2	8.2	9.0	8.2	8.2	9.0	8.4	8.4	9.2	105.0
110.0	10.6	8.8	8.4	7.0	7.0	8.8	7.0	7.0	9.0	7.4	7.4	9.0	110.0
115.0	9.6	8.6	8.2	6.0	6.0	8.0	6.0	6.0	8.0	6.4	6.4	8.4	115.0
120.0	8.6	8.4	8.2	5.2	5.2	7.0	5.2	5.2	7.0	5.4	5.4	7.4	120.0
125.0	7.6	7.6	8.2	4.2	4.2	6.0	4.4	4.4	6.0	4.6	4.6	6.4	125.0
130.0	6.8	6.8	8.0	3.4	3.4	5.0	3.6	3.6	5.2	3.8	3.8	5.6	130.0
135.0	5.8	5.8	7.0	2.8	2.8	4.2	2.8	2.8	4.4	3.2	3.2	4.8	135.0
140.0	5.0	5.0	6.0	2.0	2.0	3.4	2.2	2.2	3.6	2.6	2.6	4.0	140.0
145.0	4.4	4.4	5.2			2.8			2.8	1.8	1.8	3.2	145.0
150.0	3.6	3.6	4.4			2.0			2.2			2.6	150.0
155.0	3.0	3.0										2.0	155.0
160.0	2.4	2.4											160.0

* Luffing under load

THIS CHART IS ONLY A GUIDE AND SHOULD NOT BE USED TO OPERATE THE CRANE.
The individual crane's load chart, operating instructions and other instructional plates must be read and understood prior to operating the crane.

Load charts

Swingaway with boom extension (hydraulic luffing)



38,9 m - 64,0 m
(127.5 - 210 ft)



26 m
(85.3 ft)



7,8 m
(25.6 ft)



360°



50 t (110,200 lb)



ft ft	127.5 85.3			177.3 85.3			193.8 85.3			210.0 85.3			ft ft
	0°	* 0° - 20°	* 20° - 40°	0°	* 0° - 20°	* 20° - 40°	0°	* 0° - 20°	* 20° - 40°	0°	* 0° - 20°	* 20° - 40°	
30.0	14.6												30.0
35.0	14.4												35.0
40.0	14.2			11.2									40.0
45.0	14.2			11.2			9.0						45.0
50.0	14.0	12.4		11.2			9.0			7.2			50.0
55.0	13.8	12.2		11.2			9.0			7.2			55.0
60.0	13.6	12.0		11.2	10.6		9.0			7.2			60.0
65.0	13.4	11.8		11.2	10.6		9.0			7.2			65.0
70.0	13.2	11.6	9.8	11.2	10.6		9.0	9.0		7.2	7.2		70.0
75.0	13.0	11.4	9.6	11.2	10.6		9.0	9.0		7.2	7.2		75.0
80.0	12.8	11.2	9.6	11.2	10.4	8.4	9.0	9.0	7.2	7.2	7.2		80.0
85.0	12.6	10.8	9.4	11.0	10.4	8.2	9.0	9.0	7.2	7.2	7.2		85.0
90.0	12.4	10.4	9.2	11.0	10.4	8.2	9.0	9.0	7.2	7.2	7.2	6.2	90.0
95.0	12.2	10.2	9.0	11.0	10.2	8.2	9.0	9.0	7.2	7.2	7.2	6.2	95.0
100.0	12.0	10.0	8.8	10.8	10.2	8.2	9.0	9.0	7.2	7.2	7.2	6.2	100.0
105.0	11.8	9.6	8.8	10.8	10.2	8.2	9.0	9.0	7.2	7.2	7.2	6.2	105.0
110.0	11.6	9.4	8.6	10.8	10.0	8.2	9.0	9.0	7.2	7.2	7.2	6.2	110.0
115.0	11.4	9.2	8.6	10.8	10.0	8.2	9.0	9.0	7.2	7.2	7.2	6.2	115.0
120.0	11.0	9.0	8.4	10.6	10.0	8.2	9.0	9.0	7.2	7.2	7.2	6.2	120.0
125.0	10.8	8.8	8.4	10.6	9.8	8.2	9.0	9.0	7.2	7.2	7.2	6.2	125.0
130.0	10.4	8.6	8.2	10.6	9.4	8.2	9.0	9.0	7.2	7.2	7.2	6.2	130.0
135.0	10.2	8.4	8.2	10.4	9.2	8.2	9.0	9.0	7.2	7.2	7.2	6.2	135.0
140.0	9.8	8.2	8.2	10.4	9.2	8.2	9.0	9.0	7.2	7.2	7.2	6.2	140.0
145.0	9.6	8.0	8.0	10.2	9.0	8.2	9.0	9.0	7.2	7.2	7.2	6.2	145.0
150.0	9.4	7.8	7.8	10.0	8.8	8.2	9.0	9.0	7.2	7.2	7.2	6.2	150.0
155.0	9.2	7.8	7.8	9.8	8.6	8.2	9.0	8.8	7.2	7.2	7.2	6.2	155.0
160.0	8.8	7.6	7.6	9.6	8.4	8.2	9.0	8.8	7.2	7.2	7.2	6.2	160.0
165.0	8.6	7.4	7.6	9.0	8.4	8.0	8.6	8.4	7.2	7.2	7.2	6.2	165.0
170.0	8.4	7.2	7.4	8.4	8.2	8.0	8.2	8.2	7.2	7.2	7.2	6.2	170.0
175.0	8.2	7.0		7.6	7.6	8.0	7.6	7.6	7.2	7.0	7.0	6.2	175.0
180.0	8.0	6.8		6.8	6.8	8.0	7.0	7.0	7.2	6.8	6.8	6.2	180.0
185.0	7.8	6.6		6.2	6.2	7.2	6.4	6.4	7.2	6.6	6.6	6.2	185.0
190.0	7.6	6.4		5.6	5.6	6.4	5.6	5.6	6.6	6.0	6.0	6.2	190.0
195.0	7.4	6.4		5.0	5.0	5.8	5.0	5.0	6.0	5.4	5.4	6.2	195.0
200.0	7.0	6.2		4.4	4.4	5.2	4.4	4.4	5.4	4.8	4.8	5.8	200.0
205.0				3.8	3.8	4.6	4.0	4.0	4.8	4.4	4.4	5.2	205.0
210.0				3.2	3.2		3.4	3.4	4.2	3.8	3.8	4.6	210.0
215.0				2.8	2.8		3.0	3.0	3.6	3.2	3.2	4.0	215.0
220.0				2.4	2.4		2.4	2.4	3.0	2.8	2.8	3.6	220.0
225.0				1.8	1.8		2.0	2.0		2.4	2.4	3.0	225.0
230.0										2.0	2.0	2.6	230.0
235.0												2.0	235.0

* Luffing under load

THIS CHART IS ONLY A GUIDE AND SHOULD NOT BE USED TO OPERATE THE CRANE.

The individual crane's load chart, operating instructions and other instructional plates must be read and understood prior to operating the crane.

Load charts

Swingaway with boom extension (hydraulic luffing)



38,9 m - 64,0 m
(127.5 - 210 ft)



34 m
(111.6 ft)



7,8 m
(25.6 ft)



360°



50 t (110,200 lb)



ft ft	127.5 111.6			177.3 111.6			193.8 111.6			210.0 111.6			ft ft
	0°	* 0° - 20°	* 20° - 40°	0°	* 0° - 20°	* 20° - 40°	0°	* 0° - 20°	* 20° - 40°	0°	* 0° - 20°	* 20° - 40°	
40.0	11.2												40.0
45.0	11.0												45.0
50.0	11.0			8.2			7.0						50.0
55.0	10.8			8.2			7.0			5.2			55.0
60.0	10.6	10.6		8.2			7.0			5.2			60.0
65.0	10.4	10.4		8.0			7.0			5.2			65.0
70.0	10.4	10.2		8.0	8.0		7.0			5.2			70.0
75.0	10.2	10.0	7.0	8.0	7.8		7.0	7.0		5.2	5.2		75.0
80.0	10.0	10.0	7.0	7.8	7.8	5.0	7.0	7.0		5.2	5.2		80.0
85.0	9.8	9.8	6.8	7.8	7.8	5.0	7.0	7.0		5.2	5.2		85.0
90.0	9.8	9.6	6.8	7.8	7.6	5.0	7.0	7.0	4.6	5.2	5.2	3.8	90.0
95.0	9.6	9.4	6.6	7.6	7.6	5.0	7.0	6.8	4.6	5.2	5.2	3.8	95.0
100.0	9.4	9.0	6.6	7.6	7.6	5.0	6.8	6.8	4.6	5.2	5.2	3.8	100.0
105.0	9.2	8.8	6.4	7.6	7.6	5.0	6.8	6.8	4.4	5.2	5.2	3.8	105.0
110.0	9.0	8.6	6.4	7.6	7.4	5.0	6.8	6.8	4.4	5.2	5.2	3.8	110.0
115.0	8.8	8.2	6.4	7.4	7.4	5.0	6.8	6.8	4.4	5.2	5.2	3.8	115.0
120.0	8.4	8.0	6.2	7.4	7.4	4.8	6.8	6.8	4.4	5.2	5.2	3.8	120.0
125.0	8.2	7.8	6.2	7.4	7.4	4.8	6.8	6.6	4.4	5.2	5.2	3.8	125.0
130.0	8.0	7.6	6.2	7.2	7.2	4.8	6.6	6.6	4.4	5.2	5.2	3.8	130.0
135.0	7.8	7.4	6.0	7.2	7.2	4.8	6.6	6.6	4.4	5.2	5.2	3.8	135.0
140.0	7.4	7.2	6.0	7.2	7.2	4.8	6.6	6.6	4.4	5.2	5.2	3.8	140.0
145.0	7.2	7.0	6.0	7.2	7.2	4.8	6.6	6.6	4.4	5.2	5.2	3.8	145.0
150.0	7.0	6.8	5.8	7.0	7.0	4.8	6.6	6.6	4.4	5.2	5.2	3.8	150.0
155.0	6.8	6.6	5.8	7.0	7.0	4.8	6.6	6.6	4.4	5.2	5.2	3.8	155.0
160.0	6.6	6.4	5.8	7.0	6.8	4.8	6.6	6.6	4.4	5.2	5.2	3.8	160.0
165.0	6.4	6.2	5.8	7.0	6.6	4.8	6.4	6.4	4.4	5.2	5.2	3.8	165.0
170.0	6.2	6.0	5.6	6.8	6.6	4.8	6.4	6.4	4.4	5.2	5.2	3.8	170.0
175.0	6.0	5.8	5.6	6.6	6.4	4.8	6.4	6.4	4.4	5.2	5.2	3.8	175.0
180.0	5.8	5.8	5.6	6.6	6.2	4.8	6.4	6.2	4.4	5.2	5.2	3.8	180.0
185.0	5.8	5.6	5.6	6.4	6.2	4.8	6.2	6.0	4.4	5.2	5.2	3.8	185.0
190.0	5.6	5.4	5.4	5.8	5.8	4.8	5.6	5.6	4.4	5.0	5.0	3.8	190.0
195.0	5.4	5.4		5.2	5.2	4.8	5.0	5.0	4.4	4.8	4.8	3.8	195.0
200.0	5.4	5.2		4.6	4.6	4.8	4.6	4.6	4.4	4.6	4.6	3.8	200.0
205.0	5.2	5.2		4.0	4.0	4.8	4.0	4.0	4.4	4.2	4.2	3.8	205.0
210.0	5.0	5.0		3.4	3.4	4.2	3.4	3.4	4.4	3.8	3.8	3.8	210.0
215.0	5.0	5.0		3.0	3.0	3.6	3.0	3.0	3.8	3.2	3.2	3.8	215.0
210.0	4.8	4.8		2.4	2.4	3.2	2.6	2.6	3.2	2.8	2.8	3.6	210.0
215.0	4.8	4.8		2.0	2.0	2.6	2.0	2.0	2.8	2.4	2.4	3.0	215.0
220.0									2.2			2.6	220.0
225.0												2.2	225.0

* Luffing under load

THIS CHART IS ONLY A GUIDE AND SHOULD NOT BE USED TO OPERATE THE CRANE.

The individual crane's load chart, operating instructions and other instructional plates must be read and understood prior to operating the crane.

Load charts

Swingaway with boom extension (hydraulic luffing)



38,9 m - 64,0 m
(127.5 - 210 ft)



26 m
(85.3 ft)



7,8 m
(25.6 ft)



360°



21 t (46,200 lb)



ft ft	127.5 85.3			177.3 85.3			193.8 85.3			210.0 85.3			ft ft
	0°	* 0° - 20°	* 20° - 40°	0°	* 0° - 20°	* 20° - 40°	0°	* 0° - 20°	* 20° - 40°	0°	* 0° - 20°	* 20° - 40°	
30.0	14.6												30.0
35.0	14.4												35.0
40.0	14.2			11.2									40.0
45.0	14.2			11.2			9.0						45.0
50.0	14.0	12.4		11.2			9.0			7.2			50.0
55.0	13.8	12.2		11.2			9.0			7.2			55.0
60.0	13.6	12.0		11.2	10.6		9.0			7.2			60.0
65.0	13.4	11.8		11.2	10.6		9.0			7.2			65.0
70.0	13.2	11.6	9.8	11.2	10.6		9.0	9.0		7.2	7.2		70.0
75.0	13.0	11.4	9.6	11.2	10.6		9.0	9.0		7.2	7.2		75.0
80.0	12.8	11.2	9.6	11.2	10.4	8.4	9.0	9.0	7.2	7.2	7.2		80.0
85.0	12.6	10.8	9.4	11.0	10.4	8.2	9.0	9.0	7.2	7.2	7.2		85.0
90.0	12.4	10.4	9.2	11.0	10.4	8.2	9.0	9.0	7.2	7.2	7.2	6.2	90.0
95.0	12.2	10.2	9.0	10.6	10.2	8.2	9.0	9.0	7.2	7.2	7.2	6.2	95.0
100.0	12.0	10.0	8.8	9.4	9.4	8.2	9.0	9.0	7.2	7.2	7.2	6.2	100.0
105.0	11.8	9.6	8.8	8.2	8.2	8.2	8.0	8.0	7.2	7.2	7.2	6.2	105.0
110.0	10.8	9.4	8.6	7.2	7.2	8.2	7.0	7.0	7.2	7.2	7.2	6.2	110.0
115.0	9.8	9.2	8.6	6.2	6.2	8.2	6.0	6.0	7.2	6.2	6.2	6.2	115.0
120.0	8.8	8.8	8.4	5.2	5.2	7.0	5.2	5.2	7.0	5.4	5.4	6.2	120.0
125.0	7.8	7.8	8.4	4.4	4.4	6.2	4.2	4.2	6.0	4.4	4.4	6.2	125.0
130.0	7.0	7.0	8.2	3.6	3.6	5.2	3.6	3.6	5.2	3.8	3.8	5.4	130.0
135.0	6.2	6.2	7.4	2.8	2.8	4.4	2.8	2.8	4.4	3.0	3.0	4.6	135.0
140.0	5.6	5.6	6.6	2.2	2.2	3.6	2.2	2.2	3.6	2.4	2.4	3.8	140.0
145.0	4.8	4.8	6.0			3.0			3.0			3.2	145.0
150.0	4.2	4.2	5.2			2.2			2.4			2.6	150.0
155.0	3.6	3.6	4.6									2.0	155.0
160.0	3.0	3.0	3.8										160.0
165.0	2.4	2.4	3.2										165.0
170.0			2.6										170.0

* Luffing under load

THIS CHART IS ONLY A GUIDE AND SHOULD NOT BE USED TO OPERATE THE CRANE.

The individual crane's load chart, operating instructions and other instructional plates must be read and understood prior to operating the crane.

Load charts

Swingaway with boom extension (hydraulic luffing)



38,9 m - 64,0 m
(127.5 - 210 ft)



34 m
(111.6 ft)



7,8 m
(25.6 ft)



360°



21 t (46,200 lb)



ft ft	127.5 111.6			177.3 111.6			193.8 111.6			210.0 111.6			ft ft
	0°	* 0° - 20°	* 20° - 40°	0°	* 0° - 20°	* 20° - 40°	0°	* 0° - 20°	* 20° - 40°	0°	* 0° - 20°	* 20° - 40°	
30.0													30.0
35.0													35.0
40.0	11.2												40.0
45.0	11.0												45.0
50.0	11.0			8.2			7.0						50.0
55.0	10.8			8.2			7.0			5.2			55.0
60.0	10.6	10.6		8.2			7.0			5.2			60.0
65.0	10.4	10.4		8.0			7.0			5.2			65.0
70.0	10.4	10.2		8.0	8.0		7.0			5.2			70.0
75.0	10.2	10.0	7.0	8.0	7.8		7.0	7.0		5.2	5.2		75.0
80.0	10.0	10.0	7.0	7.8	7.8	5.0	7.0	7.0		5.2	5.2		80.0
85.0	9.8	9.8	6.8	7.8	7.8	5.0	7.0	7.0		5.2	5.2		85.0
90.0	9.8	9.6	6.8	7.8	7.6	5.0	7.0	7.0	4.2	5.2	5.2	3.8	90.0
95.0	9.6	9.4	6.6	7.6	7.6	5.0	7.0	6.8	4.2	5.2	5.2	3.8	95.0
100.0	9.4	9.0	6.6	7.6	7.6	5.0	6.8	6.8	4.2	5.2	5.2	3.8	100.0
105.0	9.2	8.8	6.4	7.6	7.6	5.0	6.8	6.8	4.2	5.2	5.2	3.8	105.0
110.0	9.0	8.6	6.4	7.0	7.0	5.0	6.8	6.8	4.2	5.2	5.2	3.8	110.0
115.0	8.8	8.2	6.4	6.0	6.0	5.0	5.8	5.8	4.2	5.2	5.2	3.8	115.0
120.0	8.4	8.0	6.2	5.2	5.2	4.8	5.0	5.0	4.2	5.0	5.0	3.8	120.0
125.0	7.8	7.8	6.2	4.4	4.4	4.8	4.2	4.2	4.2	4.2	4.2	3.8	125.0
130.0	7.0	7.0	6.2	3.6	3.6	4.8	3.4	3.4	4.2	3.4	3.4	3.8	130.0
135.0	6.2	6.2	6.0	2.8	2.8	4.4	2.6	2.6	4.2	2.8	2.8	3.8	135.0
140.0	5.6	5.6	6.0	2.2	2.2	3.6	2.0	2.0	4.2	2.2	2.2	3.6	140.0
145.0	5.0	5.0	6.0			3.0			4.2			3.0	145.0
150.0	4.4	4.4	5.4			2.4			3.6			2.4	150.0
155.0	3.8	3.8	4.8						3.0				155.0
160.0	3.2	3.2	4.0						2.4				160.0
165.0	2.6	2.6	3.6						2.0				165.0
170.0	2.2	2.2	3.0										170.0
175.0			2.4										175.0
180.0			2.0										180.0

* Luffing under load

The lifting capacities correspond to ASME 30.5

The lifting capacities likewise fulfill the requirements of SAEJ1289 and ISO 4305 with regard to stability.

The lifting capacities are given in 1,000 lb.

Lifting capacity = Payload + weight of hook block and suspending device.

The lifting capacities for the main boom only apply with the jib dismantled.

Lifting capacities > 98t (206,000 lb) require additional equipment.

Lifting capacities > 130 t (286,600 lb) require special equipment.

The right is reserved to modify the load-carrying capacities.

Note: The details in this brochure serve only as general information. The determinant values for the operation of the crane are the lifting capacity tables belonging to it and the operating instructions.

Lifting capacities are indicated by boom length for different levels of extension. The actual boom length will be in accordance with the selected configuration for boom extension.

THIS CHART IS ONLY A GUIDE AND SHOULD NOT BE USED TO OPERATE THE CRANE.

The individual crane's load chart, operating instructions and other instructional plates must be read and understood prior to operating the crane.

Specifications

Superstructure



Boom

13,7 m to 64,0 m (44.9 ft to 210.0 ft) six-section TWIN-LOCK™ boom. Maximum tip height 67,0 m (219.0 ft).



Boom elevation

1 cylinder with safety valve, boom angle from -1,5° to +82°.



Load moment an independent anti-two block system

Load moment and independent anti-two block system with audio visual warning and control lever lock-out. These systems provide graphic display of boom angle, length, radius, tip height, relative load moment, maximum permissible load, load indication and warning of impending two-block condition with lock-out hoist function.



Cab

Aluminium, full vision, tiltable (approx. 20°), safety glass, adjustable operator's seat with suspension, engine-independent heater. Armrest-integrated crane controls. Ergonomically arranged instrumentation and crane operating controls.



Slewing

3 slewing gears with axial piston motors, planetary gears, automatic brake.



Counterweight

50 tonnes (110,200 lb), consisting of various sections (within 3,00 m (9.84 ft) vehicle width). Hydraulic removal system.



Hydraulic system

2 separate circuits, 1 axial piston variable displacement pump with electronic power limiting control and axial piston variable displacement pump for slewing. Thermostatically controlled oil cooler. Tank capacity: 890 l (235 gallons).



Control system

Full electronic control of all crane movements using electrical control levers with automatic reset to zero. Integrated with the RCL and engine management system by CAN-BUS. Crane Control System (CCS) with system with graphic display. Crane Star telematics system.



Hoist

Axial piston motor with planetary gear and brake. Drum rotation indicator. Hoist camera with light.

* Optional equipment

- Bi-fold swingaway, 11/18 m (36/59 ft)- with hydraulic offset and luffing under load (0° - 40°), controlled from the crane cab.
- Boom extension 26/34 m (85/112 ft), consisting of bi-fold swingaway and 2 boom extensions.
- Auxiliary hoist, self-rigging via counterweight
- Auxiliary boom nose using one part of line
- Auxiliary boom nose using two parts of line
- Air-conditioning system
- 3,9 m (11.8 ft) side stowed 3 sheave integrated heavy duty jib (43 tonnes (47 USt) max capacity) hydraulically offset 0° - 40°.

Carrier



Chassis

Special 5-axle chassis, all-welded torsion-resistant box type construction in high strength steel.



Outriggers

4 double hydraulically telescoping beams with vertical cylinders and outrigger pads. Independent horizontal and vertical movement control on each side of the carrier and from the operators cab. Electronic level indicator with automatic levelling system.



Engine

Mercedes Benz OM471LA, diesel, 6 cylinders, water cooled, turbocharged, 390 kW (532 HP) at 1700 rpm (80/1269 EWG fan loose). Max. torque: 2460 Nm (1814 ft lb) at 1300 rpm. Fuel tank: 300 l + 350 l (79 + 92,5 gallons). Engine emission: Euromot 5 / EPA / CARB Tier 4 final (non road).



Transmission

Mercedes G 280 with secondary retarder, 16 gears forwards and 2 reverse. 1-stage transfer case with longitudinal differential lock.



Drive/Steer

10 x 6 x 10.



Axle lines

5 axle lines, axle lines 2, 4 and 5 steered and driven. Axle lines 1 and 3 steered.



Suspension

MEGATRAK®. All wheels with independent hydropneumatic suspension and hydraulic lockout. Longitudinal and transverse level control with automatic on highway levelling system. Range +170 mm/-130 mm (6,69 inches/-5,12 inches). Active suspension control on outrigger control units.



Tires

10 tires, size 385/95 R25 (14.00 R25).



Steering

Dual circuit, hydraulic power assisted steering with emergency steering pump. Axle lines 1, 2, 3 and 5 steer on highway (steer by wire). Separate electronic hydraulic (steer by wire) steering of the 4th, and 5th axle line for all wheel steering and crabbing.



Brakes

Service brake: pneumatic dual circuit disc brakes acting on all wheels, air dryer. Permanent brake: exhaust brake and constant throttle brake. Parking brake: pneumatically operated spring-loaded brake acting on axle lines 2, 3, 4 and 5.



Driver's Cab

Composite designed aluminium and fibre reinforced plastic, 2-person-design, safety glass, driver seat with pneumatic suspension, engine-dependent hot water heater. Complete instrumentation and driving controls. Air condition. 12 V plug. Two rotating beacons. Fire extinguisher.



Electrical system

Three-phase alternator 28 V/100A, 2 batteries 12 V/170 Ah. Lighting system and signals 24 V.

* Optional equipment

- 10 x 8 x 10
- 10 tires, size 525/80 R25 (20.5 R25). - Vehicle width 3,10 m (10.17 ft)
- Folding bunk bed in carrier cab
- VIAB Turbo Retarder
- MAXbase variable outrigger positioning
- Reverse camera system

* Other optional equipment on request.

Load charts



Axles



Counterweight



Main hoist



Outriggers



Axle load



Crane functions



Auxiliary hoist



Radius



Boom



Crane travel



Hookblock / Capacity



Slewing/Working range



Boom elevation



Drive/Steer



Hydraulic system



Speed



Boom telescoping



Electrical system



Lattice extension



Suspension



Brakes



Engine



Lattice extension (luffing)



Transmission / Gear



Cab



Free on wheels



Luffing jib



Travel speed



Carrier frame



Gradeability



Low range



Tires

Manitowoc Cranes

Regional headquarters

Americas

Milwaukee, Wisconsin, USA
Tel: +1 414 760 4600

Shady Grove, Pennsylvania, USA
Tel: +1 717 597 8121

Europe and Africa

Dardilly, France - TOWERS
Tel: +33 (0) 4 72 18 20 20

Wilhelmshaven, Germany - MOBILE
Tel: +49 (0) 4421 294 0

APAC

Shanghai, China
Tel: +86 21 6457 0066

Singapore
Tel: +65 6264 1188

Middle East and India

Dubai, UAE
Tel: +971 4 8862677



This document is non-contractual. Constant improvement and engineering progress make it necessary that we reserve the right to make specification, equipment, and price changes without notice. Illustrations shown may include optional equipment and accessories and may not include all standard equipment.